

KGA/KGB092 through 150

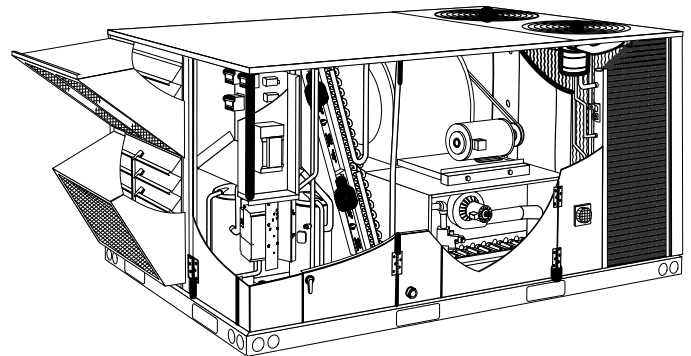
The KGA/KGB 7.5, 8.5, 10 and 12.5 ton (092, 102, 120, 150) packaged gas units are available in standard cooling efficiency. Units are available in 130,000, 180,000 or 240,000Btuh (38.1, 52.7 or 70.3 kW) heating inputs. Gas heat sections are designed with aluminized steel tube heat exchangers.

All KGA/KGB units are designed to accept any of several different energy management thermostat control systems with minimum field wiring. Factory- or field-provided control options connect to the unit with jack plugs. When "plugged in" the controls become an integral part of the unit wiring.

Standard and high efficiency units come standard with a lightweight, all-aluminum condenser coil; optional, fin/tube condenser coils are available.

Information contained in this manual is intended for use by qualified service technicians only. All specifications are subject to change. Procedures outlined in this manual are presented as a recommendation only and do not supersede or replace local or state codes.

If the unit must be lifted for service, rig unit by attaching four cables to the holes located in the unit base rail (two holes at each corner). Refer to the installation instructions for the proper rigging technique.



⚠ CAUTION

As with any mechanical equipment, contact with sharp sheet metal edges can result in personal injury. Take care while handling this equipment and wear gloves and protective clothing.

⚠ WARNING



Electric shock hazard. Can cause injury or death. Before attempting to perform any service or maintenance, turn the electrical power to unit OFF at disconnect switch(es). Unit may have multiple power supplies.

⚠ WARNING

Improper installation, adjustment, alteration, service or maintenance can cause property damage, personal injury or loss of life. Installation and service must be performed by a licensed professional HVAC installer or equivalent, service agency, or the gas supplier

ELECTROSTATIC DISCHARGE (ESD)

Precautions and Procedures

⚠ CAUTION



Electrostatic discharge can affect electronic components. Take precautions to neutralize electrostatic charge by touching your hand and tools to metal prior to handling the control.

- Options / Accessories Page 2
- Specifications Page 5
- High Altitude Page 9
- Blower Data Page 10
- Electrical Data Page 16
- Parts Arrangement Page 20
 - I- Unit Components Page 21
 - II- Placement and Installation Page 35
 - III- Start-Up Page 35
 - IV- Charging Page 37
 - V- System Service Checks Page 47
 - VI- Maintenance Page 49
 - VII- Accessories Page 50
 - VIII-Wiring Diagrams Page 59

OPTIONS / ACCESSORIES

Item Description	Model Number	Catalog Number	Unit Model No			
			092	102	120	150
COOLING SYSTEM						
Condensate Drain Trap	PVC - C1TRAP20AD2	76W26	X	X	X	X
	Copper - C1TRAP10AD2	76W27	X	X	X	X
Conventional Fin/Tube Condenser Coil (replaces Environ™ Coil System) (Required for Humiditrol® option)		Factory	O	O	O	
Corrosion Protection		Factory	O	O	O	O
Drain Pan Overflow Switch	K1SNSR71AB1-	74W42	X	X	X	X
Efficiency		High	O	O	O	O
		Standard	O	O	O	O
Low Ambient Kit	K1SNSR33B-1	54W16	X	X	X	X
Refrigerant Type		R-410A	O	O	O	O
HEATING SYSTEM						
Bottom Gas Piping Kit	C1GPKT01B-01	54W95	X	X	X	X
Combustion Air Intake Extensions	T1EXTN10AN1	19W51	X	X	X	X
Gas Heat Input	130,000 Btuh	Factory	O	O	O	O
	180,000 Btuh	Factory	O	O	O	O
	240,000 Btuh	Factory	O	O	O	O
Low Temperature Vestibule Heater	208/230V-3ph - C1LTVH10B-2Y	13X63	X	X	X	X
	460V - C1LTVH10B-2G	13X64	X	X	X	X
	575V - C1LTVH10B-2J	13X65	X	X	X	X
LPG/Propane Conversion Kits	Standard Heat - C1PROP23BS1	14N22	X	X	X	X
	Medium Heat - C1PROP22BS1	14N23	X	X	X	X
	High Heat - C1PROP21BS1	14N25	X	X	X	X
Stainless Steel Heat Exchanger		Factory	O	O	O	O
Vertical Vent Extension	C1EXTN2021	42W16	X	X	X	X
BLOWER - SUPPLY AIR						
Blower Option	CAV (Constant Air Volume)	Factory	O	O	O	O
	MSAV® (Multi-Stage Air Volume)	Factory	O	O	O	O
Blower Motors	Belt Drive - 2 hp	Factory	O	O	O	O
	Belt Drive - 3 hp	Factory	O	O	O	O
	Belt Drive - 5 hp	Factory	O	O	O	O
VFD Manual Bypass Kit (for MSAV® equipped units only)	KVFDB12C-1	90W53	X	X	X	X
Drive Kits	Kit #1 590-890 rpm	Factory	O	O	O	O
See Blower Data Tables for selection	Kit #2 800-1105 rpm	Factory	O	O	O	O
	Kit #3 795-1195 rpm	Factory	O	O	O	O
	Kit #4 730-970 rpm	Factory	O	O	O	O
	Kit #5 940-1200 rpm	Factory	O	O	O	O
	Kit #6 1015-1300 rpm	Factory	O	O	O	O
	Kit #10 900-1135 rpm	Factory	O	O	O	O
	Kit #11 1040-1315 rpm	Factory	O	O	O	O
	Kit #12 1125-1425 rpm	Factory	O	O	O	O
CABINET						
Combination Coil/Hail Guards	C1GARD52B-1	13T05	X	X	X	X
Hinged Access Panels		Factory	O	O	O	O
Horizontal Discharge Kit	K1HECK00B-1	51W25	X	X	X	X
Return Air Adaptor Plate (for L Series® and T-Class™ replacement)	C1CONV10B-1	54W96	X	X	X	X

NOTE - Catalog and model numbers shown are for ordering field installed accessories.

OX - Configure To Order (Factory Installed) or Field Installed

O = Configure To Order (Factory Installed)

X = Field Installed

OPTIONS / ACCESSORIES

Item Description	Model Number	Catalog Number	Unit Model No			
			092	102	120	150
CONTROLS						
NOTE - Also see Conventional Thermostat Control Systems on page <?> for additional options.						
Smoke Detector - Supply or Return (Power board and one sensor)	C1SNSR44B-2	11K76	X	X	X	X
Smoke Detector - Supply and Return (Power board and two sensors)	C1SNSR43B-2	11K80	X	X	X	X
L Connection® Building Automation System		---	X	X	X	X
INDOOR AIR QUALITY						
Air Filters						
Healthy Climate® High Efficiency Air Filters 20 x 25 x 2 (Order 4 per unit)	MERV 8 - C1FLTR15B-1	50W61	X	X	X	X
	MERV 13 - C1FLTR40B-1	52W41	X	X	X	X
Replacement Media Filter With Metal Mesh Frame (includes non-pleated filter media)	C1FLTR30B-1-	Y3063	X	X	X	X
Indoor Air Quality (CO ₂) Sensors						
Sensor - Wall-mount, off-white plastic cover with LCD display	C0SNSR50AE1L	77N39	X	X	X	X
Sensor - Wall-mount, off-white plastic cover, no display	C0SNSR52AE1L	87N53	X	X	X	X
Sensor - Black plastic case with LCD display, rated for plenum mounting	C0SNSR51AE1L	87N52	X	X	X	X
Sensor - Wall-mount, black plastic case, no display, rated for plenum mounting	C0MISC19AE1	87N54	X	X	X	X
CO ₂ Sensor Duct Mounting Kit - for downflow applications	C0MISC19AE1-	85L43	X	X	X	X
Aspiration Box - for duct mounting non-plenum rated CO ₂ sensors (87N53 or 77N39)	C0MISC16AE1-	90N43	X	X	X	X
UVC Germicidal Lamps						
¹ Healthy Climate® UVC Light Kit (208/230v-1ph)	C1UVCL10B-1	54W62	X	X	X	X
humiditrol® condenser reheat option						
NOTE - See Conventional Thermostat Control Systems on page page <?> for additional Humiditrol control options.						
Humiditrol® Dehumidification Option (includes remote mounted Dehumidistat)		Factory	O	O	O	O
ELECTRICAL						
Voltage 60 hz	208/230V - 3 phase	Factory	O	O	O	O
	460V - 3 phase	Factory	O	O	O	O
	575V - 3 phase	Factory	O	O	O	O
Disconnect Switch	80 amp - C1DISC080B-1	54W56	OX	OX	OX	OX
GFI Service Outlets	15 amp non-powered, field-wired (208/230V, 460V only) LTAGFIK10/15	74M70	OX	OX	OX	OX
	20 amp non-powered, field-wired (575V only) C1GFCI20FF1	67E01	X	X	X	X
Weatherproof Cover for GFI	C1GFCI99FF1	10C89	X	X	X	X
¹ Lamps operate on 110-230V single-phase power supply. Step-down transformer may be ordered separately for 460V and 575V units. Alternately, 110V power supply may be used to directly power the UVC ballast(s)						
NOTE - Catalog and model numbers shown are for ordering field installed accessories.						
OX - Configure To Order (Factory Installed) or Field Installed						
O = Configure To Order (Factory Installed)						
X = Field Installed						

OPTIONS / ACCESSORIES

Item Description	Model Number	Catalog Number	Unit Model No			
			092	102	120	150
ECONOMIZER						
Standard Economizer (Not for Title 24)						
Standard Economizer with Single Temperature Control Downflow or Horizontal Applications - Includes Barometric Relief Dampers and Air Hoods	K1ECON20B-2	13U45	OX	OX	OX	OX
Standard Economizer Controls (Not for Title 24)						
Single Enthalpy Control	C1SNSR64FF1	53W64	OX	OX	OX	OX
Differential Enthalpy Control (order 2)	C1SNSR64FF1	53W64	X	X	X	X
High Performance Economizer (Approved for California Title 24 Building Standards / AMCA Class 1A Certified)						
High Performance Economizer with Single Temperature Control Downflow or Horizontal Applications - Includes Barometric Relief Dampers and Air Hoods	K1ECON22B-2	16X76	OX	OX	OX	OX
High Performance Economizer Controls (Not for Title 24)						
Single Enthalpy Control	C1SNSR60FF1	10Z75	OX	OX	OX	OX
Differential Enthalpy Control (order 2)	C1SNSR60FF1	10Z75	X	X	X	X
Horizontal Low Profile Barometric Relief Dampers With Exhaust Hood						
Horizontal Low Profile Barometric Relief Dampers With Exhaust Hood	LAGEDH03/15	53K04	X	X	X	X
OUTDOOR AIR						
Outdoor Air Dampers With Outdoor Air Hood						
Motorized	C1DAMP20B-1	14G28	OX	OX	OX	OX
Manual	C1DAMP10B-1	14G29	OX	OX	OX	OX
POWER EXHAUST						
Standard Static	208/230V-3ph - K1PWRE10B-1Y	53W44	X	X	X	X
	460V-3ph - K1PWRE10B-1G	53W45	X	X	X	X
	575V-3ph - K1PWRE10B-1J	53W46	X	X	X	X
ROOF CURBS						
Hybrid Roof Curbs, Downflow						
8 in. height	C1CURB70B-1	11F54	X	X	X	X
14 in. height	C1CURB71B-1	11F55	X	X	X	X
18 in. height	C1CURB72B-1	11F56	X	X	X	X
24 in. height	C1CURB73B-1	11F57	X	X	X	X
Adjustable Pitch Curb						
14 in. height	C1CURB55B-1	54W50	X	X	X	X
CEILING DIFFUSERS						
Step-Down - Order one	RTD11-95S	13K61	X			
	RTD11-135S	13K62		X	X	
	RTD11-185S	13K63				X
Flush - Order one	FD11-95S	13K56	X			
	FD11-135S	13K57		X	X	
	FD11-185S	13K58				X
Transitions (Supply and Return) - Order one	C1DIFF30B-1	12X65	X			
	C1DIFF31B-1	12X66		X	X	
	C1DIFF32B-1	12X67				X

NOTE - Catalog and model numbers shown are for ordering field installed accessories.

OX - Configure To Order (Factory Installed) or Field Installed

O = Configure To Order (Factory Installed)

X = Field Installed

SPECIFICATIONS

7.5 TON

General Data		Nominal Tonnage	7.5 Ton	7.5 Ton	7.5 Ton	7.5 Ton	
		Model Number	KGB092S4B	KGB092S4M	KGA092H4B	KGA092H4M	
		Efficiency Type	Standard	Standard	High	High	
		Blower Type	CAV (Constant Air Volume)	MSAV® (Multi-Stage Air Volume)	CAV (Constant Air Volume)	MSAV® (Multi-Stage Air Volume)	
Cooling Performance	Gross Cooling Capacity - Btuh		87,800	87,800	93,000	93,000	
	¹ Net Cooling Capacity - Btuh		86,000	86,000	90,000	90,000	
	AHRI Rated Air Flow - cfm		2400	2400	3000	2800	
	Total Unit Power - kW		7.8	7.8	7.2	7.2	
	¹ EER (Btuh/Watt)		11.0	11.0	12.5	12.5	
	¹ IEER (Btuh/Watt)		12.7	13.4	13.0	14.0	
AHRI Reference Number			10609476	202088991	202089017	202090514	
Refrigerant Charge		Refrigerant Type	R-410A	R-410A	R-410A	R-410A	
Charge	Environ™ Coil System	Circuit 1	4 lbs. 0 oz.	4 lbs. 0 oz.	6 lbs. 13 oz.	6 lbs. 13 oz.	
		Circuit 2	3 lbs. 6 oz.	3 lbs. 6 oz.	7 lbs. 2 oz.	7 lbs. 2 oz.	
	Conventional Fin/Tube Coil Option	Circuit 1	9 lbs. 0 oz.	9 lbs. 0 oz.	---	---	
		Circuit 2	6 lbs. 13 oz.	6 lbs. 13 oz.	---	---	
	Conventional Fin/Tube with Humiditrol® Option	Circuit 1	10 lbs. 4 oz.	10 lbs. 4 oz.	---	---	
		Circuit 2	7 lbs. 0 oz.	7 lbs. 0 oz.	---	---	
Gas Heating Options Available -			Standard (2 stage), Medium (2 Stage), High (2 Stage)				
Compressor Type (number)			Scroll (2)	Scroll (2)	Scroll (2)	Scroll (2)	
Outdoor Coils	Net face area (total) - sq. ft.		20.5	20.5	28.0	28.0	
		Environ (Fin/Tube)	Number of rows	1 (2)	1 (2)	1	1
		Fins per inch	23 (20)	23 (20)	20	20	
Outdoor Coil Fans	Motor - (No.) hp		(2) 1/3	(2) 1/3	(2) 1/3	(2) 1/3	
		Motor rpm	1075	1075	1075	1075	
		Total Motor watts	740	740	800	800	
		Diameter - (No.) in.	(2) 24	(2) 24	(2) 24	(2) 24	
		Number of blades	3	3	3	3	
		Total Air volume - cfm	8800	8800	8800	8800	
Indoor Coils	Net face area (total) - sq. ft.		12.78	12.78	12.78	12.78	
		Tube diameter - in.	3/8	3/8	3/8	3/8	
		Number of rows	2	2	4	4	
		Fins per inch	14	14	14	14	
Drain connection - Number and size			(2) 1 in. NPT coupling				
Expansion device type			Refrigerant Metering Orifice (RFC) - No Humiditrol® Option		Balance port TXV, removable head		
			Balanced port TXV, removable head - Humiditrol® Option				
² Indoor Blower and Drive Selection	Nominal motor output		2 hp, 3 hp, 5 hp				
		Maximum usable motor output (US Only)	2.3 hp, 3.45 hp, 5.75 hp				
		Motor - Drive kit number	2 hp Kit 1 590-890 rpm Kit 2 800-1105 rpm Kit 3 795-1195 rpm 3 hp Kit 7 730-970 rpm Kit 8 940-1200 rpm Kit 9 1015-1300 rpm 5 hp Kit 10 900-1135 rpm Kit 11 1040-1315 rpm Kit 12 1125-1425 rpm				
Blower wheel nominal diameter x width - in.			(1) 15 X 15	(1) 15 X 15	(1) 15 X 15	(1) 15 X 15	
Filters	Type of filter		Disposable				
	Number and size - in.		(4) 20 x 25 x 2				
Electrical characteristics			208/230V, 460V or 575V - 60 hertz - 3 phase				

NOTE - Net capacity includes evaporator blower motor heat deduction. Gross capacity does not include evaporator blower motor heat deduction.

¹ AHRI Certified to AHRI Standard 340/360; 95°F outdoor air temperature and 80°F db/67°F wb entering evaporator air; minimum external duct static pressure.

² Using total air volume and system static pressure requirements determine from blower performance tables rpm and motor output required. Maximum usable output of motors furnished are shown. In Canada, nominal motor output is also maximum usable motor output. If motors of comparable output are used, be sure to keep within the service factor limitations outlined on the motor nameplate.

NOTE – Units equipped with MSAV® (Multi-Stage Air Volume) option are limited to a motor service factor of 1.0.

SPECIFICATIONS			8.5 TON			
General Data		Nominal Tonnage	8.5 Ton	8.5 Ton	8.5 Ton	8.5 Ton
		Model Number	KGB102S4B	KGB102S4M	KGA102H4B	KGA102H4M
		Efficiency Type	Standard	Standard	High	High
		Blower Type	CAV (Constant Air Volume)	MSAV® (Multi-Stage Air Volume)	CAV (Constant Air Volume)	MSAV® (Multi-Stage Air Volume)
Cooling Performance	Gross Cooling Capacity - Btuh		99,600	99,600	103,800	103,800
	¹ Net Cooling Capacity - Btuh		97,000	97,000	100,000	100,000
	AHRI Rated Air Flow - cfm		2800	2800	3400	3400
	Total Unit Power - kW		8.8	8.8	8.2	8.2
	¹ EER (Btuh/Watt)		11.0	11.0	12.2	12.2
	¹ IEER (Btuh/Watt)		12.7	13.6	12.9	14.0
AHRI Reference Number			10609474	202088981	202089018	202090515
Refrigerant Charge		Refrigerant Type	R-410A	R-410A	R-410A	R-410A
Charge	Environ™ Coil System	Circuit 1	4 lbs. 5 oz.	4 lbs. 5 oz.	6 lbs. 8 oz.	6 lbs. 8 oz.
		Circuit 2	4 lbs. 3 oz.	4 lbs. 3 oz.	6 lbs. 15 oz.	6 lbs. 15 oz.
	Conventional Fin/Tube Coil Option	Circuit 1	9 lbs. 3 oz.	9 lbs. 3 oz.	---	---
		Circuit 2	7 lbs. 14 oz.	7 lbs. 14 oz.	---	---
	Conventional Fin/Tube with Humiditrol® Option	Circuit 1	9 lbs. 8 oz.	9 lbs. 8 oz.	---	---
		Circuit 2	9 lbs. 4 oz.	9 lbs. 4 oz.	---	---
Gas Heating Options Available -			Standard (2 stage), Medium (2 Stage), High (2 Stage)			
Compressor Type (number)			Scroll (2)	Scroll (2)	Scroll (2)	Scroll (2)
Outdoor Coils (Fin/Tube)	Net face area (total) - sq. ft.		20.5	20.5	28.0	28.0
	Number of rows		1 (2)	1 (2)	1	1
	Fins per inch		23 (20)	23 (20)	20	20
Outdoor Coil Fans	Motor - (No.) hp		(2) 1/3	(2) 1/3	(2) 1/3	(2) 1/3
	Motor rpm		1075	1075	1075	1075
	Total Motor watts		740	740	800	800
	Diameter - (No.) in.		(2) 24	(2) 24	(2) 24	(2) 24
	Number of blades		3	3	3	3
	Total Air volume - cfm		8800	8800	8800	8800
Indoor Coils	Net face area (total) - sq. ft.		12.78	12.78	12.78	12.78
	Tube diameter - in.		3/8	3/8	3/8	3/8
	Number of rows		3	3	4	4
	Fins per inch		14	14	14	14
Drain connection - Number and size			(2) 1 in. NPT coupling			
Expansion device type			Refrigerant Metering Orifice (RFC) - No Humiditrol® Option Balanced port TXV, removable head -Humiditrol®Option		Balance port TXV, removable head	
² Indoor Blower and Drive Selection	Nominal motor output		2 hp, 3 hp, 5 hp			
	Maximum usable motor output (US Only)		2.3 hp, 3.45 hp, 5.75 hp			
	Motor - Drive kit number		2 hp Kit 1 590-890 rpm Kit 2 800-1105 rpm Kit 3 795-1195 rpm 3 hp Kit 7 730-970 rpm Kit 8 940-1200 rpm Kit 9 1015-1300 rpm 5 hp Kit 10 900-1135 rpm Kit 11 1040-1315 rpm Kit 12 1125-1425 rpm			
Blower wheel nominal diameter x width - in.			(1) 15 X 15	(1) 15 X 15	(1) 15 X 15	(1) 15 X 15
Filters		Type of filter	Disposable			
		Number and size - in.	(4) 20 x 25 x 2			
Electrical characteristics			208/230V, 460V or 575V - 60 hertz - 3 phase			

NOTE - Net capacity includes evaporator blower motor heat deduction. Gross capacity does not include evaporator blower motor heat deduction.

¹ AHRI Certified to AHRI Standard 340/360; 95°F outdoor air temperature and 80°F db/67°F wb entering evaporator air; minimum external duct static pressure.

² Using total air volume and system static pressure requirements determine from blower performance tables rpm and motor output required. Maximum usable output of motors furnished are shown. In Canada, nominal motor output is also maximum usable motor output. If motors of comparable output are used, be sure to keep within the service factor limitations outlined on the motor nameplate.

NOTE - Units equipped with MSAV® (Multi-Stage Air Volume) option are limited to a motor service factor of 1.0.

SPECIFICATIONS

10 TON

General Data		Nominal Tonnage	10 Ton	10 Ton	10 Ton	10 Ton
		Model Number	KGB120S4B	KGB120S4M	KGA120H4B	KGA120H4M
		Efficiency Type	Standard	Standard	High	High
		Blower Type	CAV (Constant Air Volume)	MSAV® (Multi-Stage Air Volume)	CAV (Constant Air Volume)	MSAV® (Multi-Stage Air Volume)
Cooling Performance	Gross Cooling Capacity - Btuh		118,000	118,000	122,000	122,000
	¹ Net Cooling Capacity - Btuh		115,000	115,000	118,000	118,000
	AHRI Rated Air Flow - cfm		3000	3000	3600	3300
	Total Unit Power - kW		10.5	10.5	9.8	9.8
	¹ EER (Btuh/Watt)		11.0	11.0	12	12
	¹ IEER (Btuh/Watt)		12.7	13.4	13	13.8
AHRI Reference Number			10609472	202088982	202088950	202090476
Refrigerant Charge		Refrigerant Type	R-410A	R-410A	R-410A	R-410A
Charge	Environ™ Coil System	Circuit 1	5 lbs. 7 oz.	5 lbs. 7 oz.	7 lbs. 4 oz.	7 lbs. 4 oz.
		Circuit 2	5 lbs. 12 oz.	5 lbs. 12 oz.	7 lbs. 8 oz.	7 lbs. 8 oz.
	Conventional Fin/Tube Coil Option	Circuit 1	9 lbs. 15 oz.	9 lbs. 15 oz.	---	---
		Circuit 2	9 lbs. 1 oz.	9 lbs. 1 oz.	---	---
	Conventional Fin/Tube with Humiditrol® Option	Circuit 1	10 lbs. 8 oz.	10 lbs. 8 oz.	---	---
		Circuit 2	8 lbs. 0 oz.	8 lbs. 0 oz.	---	---
Gas Heating Options Available			Standard (2 stage), Medium (2 Stage), High (2 Stage)			
Compressor Type (number)			Scroll (2)	Scroll (2)	Scroll (2)	Scroll (2)
Outdoor Coils	Net face area (total) - sq. ft.		28.0	28.0	28.0	28.0
	Environ (Fin/Tube)	Number of rows	1 (2)	1(2)	1	1
Fins per inch		23 (20)	23 (20)	20	20	
Outdoor Coil Fans	Motor - (No.) hp		(2) 1/3	(2) 1/3	(2) 1/3	(2) 1/3
	Motor rpm		1075	1075	1075	1075
	Total Motor watts		690	690	800	800
	Diameter - (No.) in.		(2) 24	(2) 24	(2) 24	(2) 24
	Number of blades		3	3	3	3
	Total Air volume - cfm		9300	9300	8800	8800
Indoor Coils	Net face area (total) - sq. ft.		12.78	12.78	13.54	13.54
	Tube diameter - in.		3/8	3/8	3/8	3/8
	Number of rows		4	4	4	4
	Fins per inch		14	14	14	14
Drain connection - Number and size			(2) 1 in. NPT coupling			
Expansion device type			Refrigerant Metering Orifice (RFC) - No Humiditrol® Option		Balance port TXV, removable head	
Balanced port TXV, removable head - Humiditrol® Option						
² Indoor Blower and Drive Selection	Nominal motor output		2 hp, 3 hp, 5 hp			
	Maximum usable motor output (US Only)		2.3 hp, 3.45 hp, 5.75 hp			
	Motor - Drive kit number		2 hp Kit 1 590-890 rpm Kit 2 800-1105 rpm Kit 3 795-1195 rpm 3 hp Kit 7 730-970 rpm Kit 8 940-1200 rpm Kit 9 1015-1300 rpm 5 hp Kit 10 900-1135 rpm Kit 11 1040-1315 rpm Kit 12 1125-1425 rpm			
Blower wheel nominal diameter x width - in.			(1) 15 X 15	(1) 15 X 15	(1) 15 X 15	(1) 15 X 15
Filters	Type of filter		Disposable			
	Number and size - in.		(4) 20 x 25 x 2			
Electrical characteristics			208/230V, 460V or 575V - 60 hertz - 3 phase			

NOTE - Net capacity includes evaporator blower motor heat deduction. Gross capacity does not include evaporator blower motor heat deduction.

¹ AHRI Certified to AHRI Standard 340/360; 95°F outdoor air temperature and 80°F db/67°F wb entering evaporator air; minimum external duct static pressure.

² Using total air volume and system static pressure requirements determine from blower performance tables rpm and motor output required. Maximum usable output of motors furnished are shown. In Canada, nominal motor output is also maximum usable motor output. If motors of comparable output are used, be sure to keep within the service factor limitations outlined on the motor nameplate.

NOTE – Units equipped with MSAV® (Multi-Stage Air Volume) option are limited to a motor service factor of 1.0.

SPECIFICATIONS

12.5 TON

General Data		Nominal Tonnage	12.5 Ton	12.5 Ton	
		Model Number	KGB150S4B	KGB150S4M	
		Efficiency Type	Standard	Standard	
		Blower Type	CAV (Constant Air Volume)	MSAV® (Multi-Stage Air Volume)	
Cooling Performance	Gross Cooling Capacity - Btuh		146,000	146,000	
	¹ Net Cooling Capacity - Btuh		140,000	140,000	
	AHRI Rated Air Flow - cfm		3950	3950	
	Total Unit Power - kW		13.0	13.0	
	¹ EER (Btuh/Watt)		10.8	10.8	
	¹ IEER (Btuh/Watt)		12.2	13.5	
AHRI Reference Number			10609468	10609470	
Refrigerant Charge		Refrigerant Type	R-410A	R-410A	
		Fin/Tube Coil	Circuit 1	12 lbs. 8 oz.	12 lbs. 8 oz.
			Circuit 2	10 lbs. 12 oz.	10 lbs. 12 oz.
		Fin/Tube Coil with Humiditrol® Option	Circuit 1	12 lbs. 9 oz.	12 lbs. 9 oz.
			Circuit 2	10 lbs. 12 oz.	10 lbs. 12 oz.
Gas Heating Options Available			Standard (2 stage), Medium (2 Stage), High (2 Stage)		
Compressor Type (number)			Scroll (2)	Scroll (2)	
Outdoor Coils		Net face area (total) - sq. ft.		25.9	25.9
		Number of rows		3	3
		Fins per inch		20	20
Outdoor Coil Fans		Motor - (No.) hp		(2) 1/2	(2) 1/2
		Motor rpm		1075	1075
		Total Motor watts		1050	1050
		Diameter - (No.) in.		(2) 24	(2) 24
		Number of blades		3	3
		Total Air volume - cfm		9700	9700
Indoor Coils		Net face area (total) - sq. ft.		13.54	13.54
		Tube diameter - in.		3/8	3/8
		Number of rows		4	4
		Fins per inch		14	14
Drain connection - Number and size			(2) 1 in. NPT coupling		
Expansion device type			Balanced port TXV, removable head		
² Indoor Blower and Drive Selection		Nominal motor output		2 hp, 3 hp, 5 hp	
		Maximum usable motor output (US Only)		2.3 hp, 3.45 hp, 5.75 hp	
		Motor - Drive kit number		2 hp Kit 1 590-890 rpm Kit 2 800-1105 rpm Kit 3 795-1195 rpm 3 hp Kit 7 730-970 rpm Kit 8 940-1200 rpm Kit 9 1015-1300 rpm 5 hp Kit 10 900-1135 rpm Kit 11 1040-1315 rpm Kit 12 1125-1425 rpm	
		Blower wheel nominal diameter x width - in.		(1) 15 X 15	(1) 15 X 15
Filters		Type of filter		Disposable	
		Number and size - in.		(4) 20 x 25 x 2	
Electrical characteristics			208/230V, 460V or 575V - 60 hertz - 3 phase		

NOTE - Net capacity includes evaporator blower motor heat deduction. Gross capacity does not include evaporator blower motor heat deduction.

¹ AHRI Certified to AHRI Standard 340/360; 95°F outdoor air temperature and 80°F db/67°F wb entering evaporator air; minimum external duct static pressure.

² Using total air volume and system static pressure requirements determine from blower performance tables rpm and motor output required. Maximum usable output of motors furnished are shown. In Canada, nominal motor output is also maximum usable motor output. If motors of comparable output are used, be sure to keep within the service factor limitations outlined on the motor nameplate.

NOTE – Units equipped with MSAV® (Multi-Stage Air Volume) option are limited to a motor service factor of 1.0.

SPECIFICATIONS - GAS HEAT

		Heat Input Type	Standard	Medium	High
		Number of Gas Heat Stages	2	2	2
Gas Heating Performance	Input - Btuh	First Stage	84,500	117,000	156,000
		Second Stage	130,000	180,000	240,000
		Output - Btuh	104,000	144,000	192,000
		Temperature Rise Range - °F	15-45	30-60	40-70
		Thermal Efficiency	80%	80%	80%
		Gas Supply Connections	3/4 in NPT	3/4 in NPT	3/4 in NPT
Recommended Gas Supply Pressure - in. w.g.		Natural	7	7	7
		LPG/Propane	11	11	11

HIGH ALTITUDE DERATE

Units may be installed at altitudes up to 2000 feet above sea level without any modification.

At altitudes above 2000 feet, units must be derated to match gas manifold pressures shown in table below.

At altitudes above 4500 feet unit must be derated 2% for each 1000 feet above sea level.

NOTE – This is the only permissible derate for these units.

Gas Heat Type	Altitude	Gas Manifold Pressure		Input Rate Natural Gas or LPG/Propane	
		Natural Gas	LPG/Propane Gas	First Stage	Second Stage
	ft.	In. w.g.	In. w.g.	Btuh	Btuh
Standard	2001-4500	3.4	9.6	84,500	124,000
Medium	2001-4500	3.4	9.6	117,000	172,000
High	2001-4500	3.4	9.6	156,000	230,000

BLOWER DATA

092S STANDARD EFFICIENCY BELT DRIVE BLOWER – BASE UNIT

BLOWER TABLE INCLUDES RESISTANCE FOR BASE UNIT ONLY (NO HEAT SECTION) WITH DRY INDOOR COIL AND AIR FILTERS IN PLACE. FOR ALL UNITS ADD:

- 1 – Wet indoor coil air resistance of selected unit.
- 2 – Any factory installed options air resistance (heat section, economizer, etc.)
- 3 – Any field installed accessories air resistance (duct resistance, diffuser, etc.)

Then determine from blower table blower motor output required.

See page 14 for blower motors and drives.

See page 14 for wet coil and option/accessory air resistance data.

MAXIMUM STATIC PRESSURE WITH GAS HEAT - 2.0 in. w.g.

Total Air Volume cfm	Total Static Pressure – in. w.g.																											
	0.2		0.4		0.6		0.8		1.0		1.2		1.4		1.6		1.8		2		2.2		2.4		2.6			
	RPM	BHP	RPM	BHP	RPM	BHP	RPM	BHP	RPM	BHP	RPM	BHP	RPM	BHP	RPM	BHP	RPM	BHP	RPM	BHP	RPM	BHP	RPM	BHP	RPM	BHP	RPM	BHP
1750	608	0.05	651	0.03	696	0.06	744	0.22	794	0.60	845	0.95	894	1.24	934	1.38	978	1.47	1047	1.66	1120	1.89	1179	2.15	1230	2.40		
2000	615	0.07	657	0.05	702	0.10	748	0.36	797	0.72	846	1.05	892	1.30	933	1.45	977	1.55	1049	1.75	1124	2.00	1181	2.23	1234	2.47		
2250	624	0.09	664	0.07	707	0.14	753	0.50	800	0.84	847	1.15	892	1.38	934	1.53	979	1.65	1051	1.86	1126	2.12	1183	2.36	1238	2.62		
2500	632	0.11	672	0.09	714	0.29	758	0.64	803	0.97	849	1.26	893	1.48	936	1.63	983	1.75	1052	1.96	1124	2.22	1184	2.49	1241	2.77		
2750	641	0.13	680	0.11	721	0.45	763	0.78	807	1.09	852	1.37	896	1.58	940	1.74	989	1.88	1053	2.08	1121	2.34	1185	2.63	1244	2.93		
3000	651	0.15	689	0.29	728	0.61	770	0.93	812	1.23	856	1.49	901	1.70	947	1.87	996	2.02	1055	2.21	1120	2.47	1186	2.78	1248	3.10		
3250	661	0.17	698	0.46	737	0.78	777	1.09	819	1.38	862	1.63	908	1.84	955	2.01	1004	2.17	1059	2.36	1122	2.62	1189	2.94	1252	3.28		
3500	672	0.36	708	0.65	746	0.95	786	1.25	827	1.53	870	1.78	916	1.99	965	2.17	1013	2.33	1065	2.52	1126	2.79	1193	3.12	1257	3.47		
3750	684	0.56	719	0.85	756	1.14	795	1.43	836	1.70	880	1.95	927	2.16	976	2.34	1023	2.51	1073	2.71	1133	2.98	1198	3.32	1263	3.67		
4000	697	0.78	731	1.05	768	1.34	807	1.62	848	1.89	892	2.13	940	2.34	988	2.53	1034	2.71	1083	2.91	1141	3.19	1205	3.53	1270	3.89		
4250	710	1.00	745	1.27	781	1.55	819	1.83	861	2.09	906	2.33	954	2.55	1001	2.74	1046	2.93	1094	3.14	1151	3.42	1214	3.76	1278	4.12		

BLOWER DATA

092H AND 102H HIGH EFFICIENCY BELT DRIVE BLOWER – BASE UNIT

BLOWER TABLE INCLUDES RESISTANCE FOR BASE UNIT ONLY (NO HEAT SECTION) WITH DRY INDOOR COIL AND AIR FILTERS IN PLACE. FOR ALL UNITS ADD:

- 1 – Wet indoor coil air resistance of selected unit.
- 2 – Any factory installed options air resistance (heat section, economizer, etc.)
- 3 – Any field installed accessories air resistance (duct resistance, diffuser, etc.)

Then determine from blower table blower motor output required.

See page 14 for blower motors and drives.

See page 14 for wet coil and option/accessory air resistance data.

MAXIMUM STATIC PRESSURE WITH GAS HEAT - 2.0 in. w.g.

Total Air Volume cfm	Total Static Pressure – in. w.g.																											
	0.2		0.4		0.6		0.8		1.0		1.2		1.4		1.6		1.8		2.0		2.2		2.4		2.6			
	RPM	BHP	RPM	BHP	RPM	BHP	RPM	BHP	RPM	BHP	RPM	BHP	RPM	BHP	RPM	BHP	RPM	BHP	RPM	BHP	RPM	BHP	RPM	BHP	RPM	BHP	RPM	BHP
1750	481	0.21	549	0.4	618	0.57	688	0.7	758	0.82	824	0.93	885	1.08	941	1.23	991	1.39	1038	1.54	1082	1.68	1124	1.82	1166	1.95		
2000	493	0.29	561	0.47	629	0.64	700	0.77	768	0.9	832	1.02	892	1.17	946	1.33	995	1.49	1041	1.66	1085	1.81	1126	1.97	1167	2.12		
2250	507	0.37	574	0.56	643	0.72	712	0.86	779	0.99	842	1.13	900	1.28	953	1.44	1001	1.61	1045	1.78	1088	1.95	1128	2.12	1168	2.3		
2500	521	0.46	588	0.64	657	0.81	727	0.95	792	1.09	853	1.24	909	1.4	960	1.57	1007	1.74	1050	1.93	1091	2.11	1130	2.29	1170	2.48		
2750	537	0.56	604	0.74	674	0.91	743	1.06	806	1.21	865	1.36	920	1.53	969	1.71	1014	1.89	1055	2.08	1095	2.27	1133	2.47	1172	2.66		
3000	554	0.67	622	0.86	692	1.02	760	1.18	822	1.34	878	1.5	931	1.68	979	1.86	1021	2.06	1061	2.26	1099	2.46	1136	2.65	1174	2.85		
3250	572	0.78	641	0.98	712	1.15	778	1.32	838	1.49	892	1.66	943	1.84	989	2.03	1030	2.24	1068	2.45	1105	2.65	1141	2.85	1178	3.06		
3500	592	0.9	663	1.12	733	1.3	798	1.47	855	1.65	907	1.83	956	2.02	1000	2.22	1039	2.44	1076	2.65	1111	2.86	1146	3.07	1183	3.27		
3750	614	1.04	687	1.28	756	1.47	818	1.65	872	1.83	923	2.02	970	2.22	1011	2.43	1049	2.65	1084	2.87	1118	3.09	1152	3.29	1189	3.51		
4000	639	1.22	713	1.48	780	1.66	838	1.83	890	2.02	939	2.22	984	2.44	1023	2.66	1059	2.89	1093	3.11	1126	3.33	1160	3.54	1197	3.77		
4250	667	1.43	741	1.69	805	1.86	859	2.02	909	2.22	956	2.45	998	2.68	1036	2.92	1070	3.15	1103	3.37	1135	3.59	1169	3.81	1207	4.05		

BLOWER DATA

102S AND 120S (MSAV®) STANDARD EFFICIENCY BELT DRIVE BLOWER – BASE UNIT

BLOWER TABLE INCLUDES RESISTANCE FOR BASE UNIT ONLY (NO HEAT SECTION) WITH DRY INDOOR COIL AND AIR FILTERS IN PLACE. FOR ALL UNITS ADD:

- 1 – Wet indoor coil air resistance of selected unit.
- 2 – Any factory installed options air resistance (heat section, economizer, etc.)
- 3 – Any field installed accessories air resistance (duct resistance, diffuser, etc.)

Then determine from blower table blower motor output required.

See page 14 for blower motors and drives.

See page 14 for wet coil and option/accessory air resistance data.

MAXIMUM STATIC PRESSURE WITH GAS HEAT - 2.0 in. w.g.

Total Air Volume cfm	Total Static Pressure – in. w.g.																										
	0.2		0.4		0.6		0.8		1.0		1.2		1.4		1.6		1.8		2		2.2		2.4		2.6		
	RPM	BHP	RPM	BHP	RPM	BHP	RPM	BHP	RPM	BHP	RPM	BHP	RPM	BHP	RPM	BHP	RPM	BHP	RPM	BHP	RPM	BHP	RPM	BHP	RPM	BHP	RPM
2000	593	0.11	636	0.07	682	0.10	731	0.22	784	0.60	840	0.96	898	1.26	948	1.38	996	1.47	1045	1.57	1092	1.71	1140	1.92	1188	2.32	
2250	604	0.15	645	0.11	690	0.15	739	0.39	790	0.74	846	1.08	901	1.34	953	1.48	1002	1.57	1052	1.70	1100	1.86	1149	2.09	1197	2.42	
2500	615	0.19	655	0.15	699	0.20	747	0.55	797	0.89	851	1.20	906	1.44	959	1.58	1009	1.68	1059	1.83	1108	2.01	1158	2.26	1206	2.52	
2750	626	0.23	666	0.19	709	0.37	755	0.71	805	1.03	858	1.32	912	1.55	966	1.70	1017	1.81	1067	1.97	1117	2.17	1166	2.44	1215	2.71	
3000	637	0.27	677	0.24	719	0.55	764	0.87	813	1.18	866	1.45	920	1.67	975	1.82	1026	1.96	1076	2.13	1126	2.35	1176	2.63	1225	2.92	
3250	650	0.31	688	0.43	730	0.73	775	1.04	823	1.34	875	1.60	930	1.81	985	1.97	1036	2.12	1086	2.31	1136	2.54	1186	2.83	1235	3.13	
3500	663	0.35	700	0.63	741	0.92	786	1.22	834	1.50	886	1.76	942	1.96	997	2.14	1048	2.31	1097	2.51	1147	2.75	1196	3.04	1245	3.35	
3750	676	0.57	714	0.84	754	1.12	798	1.41	846	1.68	899	1.93	956	2.14	1010	2.32	1060	2.51	1109	2.72	1158	2.98	1207	3.27	1255	3.58	
4000	691	0.79	728	1.05	768	1.33	812	1.61	860	1.88	914	2.12	971	2.34	1023	2.53	1072	2.73	1121	2.95	1169	3.22	1218	3.51	1266	3.83	
4250	706	1.03	743	1.28	783	1.55	827	1.82	876	2.09	931	2.33	987	2.55	1037	2.76	1085	2.97	1133	3.20	1181	3.47	1229	3.76	1277	4.08	
4500	722	1.27	759	1.52	799	1.78	844	2.05	894	2.31	949	2.56	1003	2.79	1052	3.00	1098	3.22	1145	3.46	1193	3.73	1241	4.03	1289	4.34	
4750	739	1.53	776	1.77	817	2.03	862	2.30	913	2.56	968	2.81	1020	3.04	1066	3.27	1112	3.49	1158	3.74	1205	4.01	1253	4.30	1301	4.61	
5000	757	1.79	794	2.04	835	2.30	882	2.56	934	2.83	988	3.08	1036	3.32	1081	3.55	1125	3.78	1171	4.02	1218	4.29	1265	4.59	1312	4.89	

BLOWER DATA

**120S (CAV) AND 120H HIGH EFFICIENCY AND 150S STANDARD EFFICIENCY BELT DRIVE BLOWER – BASE UNIT
 BLOWER TABLE INCLUDES RESISTANCE FOR BASE UNIT ONLY (NO HEAT SECTION) WITH DRY INDOOR COIL AND AIR
 FILTERS IN PLACE. FOR ALL UNITS ADD:**

- 1 – Wet indoor coil air resistance of selected unit.
- 2 – Any factory installed options air resistance (heat section, economizer, etc.)
- 3 – Any field installed accessories air resistance (duct resistance, diffuser, etc.)

Then determine from blower table blower motor output required.

See page 14 for blower motors and drives.

See page 14 for wet coil and option/accessory air resistance data.

MAXIMUM STATIC PRESSURE WITH GAS HEAT - 2.0 in. w.g.

Total Air Volume cfm	Total Static Pressure – in. w.g.																										
	0.2		0.4		0.6		0.8		1.0		1.2		1.4		1.6		1.8		2.0		2.2		2.4		2.6		
	RPM	BHP	RPM	BHP	RPM	BHP	RPM	BHP	RPM	BHP	RPM	BHP	RPM	BHP	RPM	BHP	RPM	BHP	RPM	BHP	RPM	BHP	RPM	BHP	RPM	BHP	RPM
2000	497	0.25	558	0.44	624	0.6	694	0.74	764	0.85	830	0.99	889	1.16	943	1.34	994	1.52	1045	1.71	1096	1.89	1146	2.08	1197	2.27	
2250	511	0.34	573	0.52	638	0.68	708	0.82	776	0.94	839	1.09	896	1.26	948	1.45	998	1.64	1048	1.83	1098	2.01	1149	2.2	1200	2.4	
2500	527	0.44	589	0.62	654	0.78	723	0.91	789	1.05	850	1.21	904	1.39	955	1.58	1003	1.77	1052	1.96	1101	2.14	1152	2.33	1203	2.53	
2750	545	0.55	606	0.72	672	0.88	740	1.03	804	1.17	861	1.34	914	1.53	962	1.72	1010	1.92	1057	2.10	1105	2.29	1154	2.47	1206	2.68	
3000	564	0.66	626	0.84	692	1.01	759	1.16	819	1.32	874	1.49	924	1.68	971	1.88	1017	2.08	1063	2.26	1110	2.44	1158	2.63	1208	2.83	
3250	585	0.79	648	0.98	714	1.14	778	1.31	836	1.48	887	1.66	935	1.86	981	2.06	1026	2.26	1071	2.45	1117	2.63	1163	2.80	1213	3.00	
3500	607	0.93	672	1.13	737	1.31	798	1.48	852	1.66	901	1.85	948	2.05	993	2.26	1037	2.46	1081	2.65	1125	2.83	1171	3.01	1221	3.21	
3750	632	1.10	698	1.31	762	1.50	819	1.67	869	1.86	915	2.05	961	2.25	1005	2.47	1049	2.68	1092	2.88	1136	3.05	1181	3.24	1231	3.45	
4000	660	1.30	726	1.52	787	1.70	838	1.87	885	2.06	930	2.26	974	2.48	1018	2.71	1062	2.93	1105	3.12	1149	3.30	1194	3.49	1245	3.72	
4250	691	1.53	755	1.75	810	1.91	857	2.07	901	2.27	945	2.50	990	2.74	1034	2.98	1077	3.20	1120	3.39	1163	3.58	1210	3.79	1262	4.03	
4500	724	1.78	783	1.98	831	2.12	874	2.28	917	2.50	962	2.75	1006	3.02	1051	3.27	1094	3.49	1137	3.70	1181	3.89	1228	4.11	1281	4.38	
4750	757	2.05	809	2.20	851	2.33	891	2.51	935	2.76	980	3.05	1025	3.33	1070	3.59	1113	3.82	1156	4.03	1201	4.24	1249	4.47	1303	4.75	
5000	787	2.31	831	2.43	870	2.57	910	2.78	954	3.06	1000	3.38	1046	3.68	1091	3.95	1135	4.19	1178	4.40	1224	4.62	1272	4.86	1325	5.13	
5250	814	2.55	852	2.66	889	2.83	930	3.09	975	3.41	1023	3.76	1070	4.08	1115	4.35	1159	4.59	1203	4.81	1248	5.03	1297	5.27	1350	5.53	
5500	835	2.78	871	2.91	909	3.13	952	3.44	999	3.81	1049	4.18	1096	4.51	1142	4.79	1186	5.03	1229	5.24	1275	5.46	1324	5.69	---	---	
5750	854	3.01	890	3.19	930	3.48	977	3.86	1027	4.27	1078	4.66	1126	4.99	1171	5.26	1214	5.49	1258	5.70	---	---	---	---	---	---	
6000	871	3.26	910	3.53	955	3.90	1006	4.34	1060	4.80	1111	5.19	1158	5.51	---	---	---	---	---	---	---	---	---	---	---	---	
6250	890	3.57	934	3.94	985	4.41	1041	4.91	1096	5.38	---	---	---	---	---	---	---	---	---	---	---	---	---	---	---	---	

BLOWER DATA

FACTORY INSTALLED BELT DRIVE KIT SPECIFICATIONS

Nominal hp	Maximum hp	Drive Kit Number	RPM Range
2	2.3	1	590 - 890
2	2.3	2	800 - 1105
2	2.3	3	795 - 1195
3	3.45	4	730 - 970
3	3.45	5	940 - 1200
3	3.45	6	1015 - 1300
5	5.75	10	900 - 1135
5	5.75	11	1040 - 1315
5	5.75	12	1125 - 1425

NOTE - Using total air volume and system static pressure requirements determine from blower performance tables rpm and motor output required. Maximum usable output of motors furnished are shown. In Canada, nominal motor output is also maximum usable motor output. If motors of comparable output are used, be sure to keep within the service factor limitations outlined on the motor nameplate.

NOTE – Units equipped with MSAV® (Multi-Stage Air Volume) option are limited to a motor service factor of 1.0.

POWER EXHAUST FAN PERFORMANCE

Return Air System Static Pressure in. w.g.	Air Volume Exhausted cfm
0	3175
0.05	2955
0.10	2685
0.15	2410
0.20	2165
0.25	1920
0.30	1420
0.35	1200

FACTORY INSTALLED OPTIONS/FIELD INSTALLED ACCESSORY AIR RESISTANCE - in. w.g.

Air Volume cfm	Wet Indoor Coil		Gas Heat Exchanger			Economizer	Humiditrol Condenser Reheat Coil	Filters		Return Air Adaptor Plate
	092, 102	120, 150	Standard Heat	Medium Heat	High Heat			MERV 8	MERV 13	
1750	0.04	0.04	0.06	0.02	0.02	0.05	0.02	0.01	0.03	0.00
2000	0.05	0.05	0.07	0.05	0.06	0.06	0.02	0.01	0.03	0.00
2250	0.06	0.06	0.07	0.07	0.08	0.08	0.02	0.01	0.04	0.00
2500	0.07	0.07	0.09	0.10	0.11	0.11	0.03	0.01	0.05	0.00
2750	0.08	0.08	0.09	0.11	0.12	0.12	0.03	0.02	0.05	0.00
3000	0.10	0.09	0.11	0.12	0.13	0.13	0.03	0.02	0.06	0.02
3250	0.11	0.10	0.12	0.15	0.16	0.15	0.04	0.02	0.06	0.02
3500	0.12	0.11	0.12	0.16	0.17	0.15	0.04	0.03	0.07	0.04
3750	0.14	0.13	0.14	0.19	0.20	0.15	0.05	0.03	0.08	0.07
4000	0.15	0.14	0.14	0.21	0.22	0.19	0.05	0.04	0.08	0.09
4250	0.17	0.15	0.14	0.24	0.28	0.19	0.06	0.04	0.09	0.11
4500	0.19	0.17	0.15	0.26	0.32	0.22	0.07	0.04	0.09	0.12
4750	0.20	0.18	0.16	0.29	0.37	0.25	0.07	0.05	0.10	0.16
5000	0.22	0.20	0.16	0.34	0.43	0.29	0.08	0.06	0.10	0.18
5250	0.24	0.22	0.16	0.37	0.47	0.32	0.08	0.06	0.11	0.19
5500	0.25	0.23	0.18	0.44	0.54	0.34	0.09	0.07	0.12	0.22
5750	0.27	0.25	0.19	0.49	0.59	0.45	0.10	0.07	0.12	0.25
6000	0.29	0.27	0.20	0.54	0.64	0.52	0.10	0.08	0.13	0.27

BLOWER DATA

CEILING DIFFUSERS AIR RESISTANCE - in. w.g.

Unit Size	RTD11 Step-Down Diffuser				FD11 Flush Diffuser
	Air Volume cfm	2 Ends Open	1 Side, 2 Ends Open	All Ends & Sides Open	
092 Models	2400	0.21	0.18	0.15	0.14
	2600	0.24	0.21	0.18	0.17
	2800	0.27	0.24	0.21	0.20
	3000	0.32	0.29	0.25	0.25
	3200	0.41	0.37	0.32	0.31
	3400	0.50	0.45	0.39	0.37
	3600	0.61	0.54	0.48	0.44
	3800	0.73	0.63	0.57	0.51
102 & 120 Models	3600	0.36	0.28	0.23	0.15
	3800	0.40	0.32	0.26	0.18
	4000	0.44	0.36	0.29	0.21
	4200	0.49	0.40	0.33	0.24
	4400	0.54	0.44	0.37	0.27
	4600	0.60	0.49	0.42	0.31
	4800	0.65	0.53	0.46	0.35
	5000	0.69	0.58	0.50	0.39
150 Models	4200	0.22	0.19	0.16	0.10
	4400	0.28	0.24	0.20	0.12
	4600	0.34	0.29	0.24	0.15
	4800	0.40	0.34	0.29	0.19
	5000	0.46	0.39	0.34	0.23
	5200	0.52	0.44	0.39	0.27
	5400	0.58	0.49	0.43	0.31
	5600	0.64	0.54	0.47	0.35
5800	0.70	0.59	0.51	0.39	

CEILING DIFFUSER AIR THROW DATA

Model No.	Air Volume cfm	¹ Effective Throw Range	
		RTD11 Step-Down	FD11 Flush
		ft.	ft.
092 Models	2600	24 - 29	19 - 24
	2800	25 - 30	20 - 28
	3000	27 - 33	21 - 29
	3200	28 - 35	22 - 29
	3400	30 - 37	22 - 30
102, 120 Models	3600	25 - 33	22 - 29
	3800	27 - 35	22 - 30
	4000	29 - 37	24 - 33
	4200	32 - 40	26 - 35
	4400	34 - 42	28 - 37
150 Models	5600	39 - 49	28 - 37
	5800	42 - 51	29 - 38
	6000	44 - 54	40 - 50
	6200	45 - 55	42 - 51
	6400	46 - 55	43 - 52
6600	47 - 56	45 - 56	

¹ Throw is the horizontal or vertical distance an air stream travels on leaving the outlet or diffuser before the maximum velocity is reduced to 50 ft. per minute. Four sides open.

ELECTRICAL DATA**7.5 TON****7.5 TON STANDARD EFFICIENCY (R-410A)****KGB092S4**

¹ Voltage - 60hz		208/230V - 3 Ph			460V - 3 Ph			575V - 3 Ph		
Compressor 1	Rated Load Amps	13.1			6.1			4.4		
	Locked Rotor Amps	83.1			41			33		
Compressor 2	Rated Load Amps	13.1			6.1			4.4		
	Locked Rotor Amps	83.1			41			33		
Outdoor Fan Motors (2)	Full Load Amps	2.4			1.3			1		
	(total)	(4.8)			(2.6)			(2)		
Power Exhaust (1) 0.33 HP	Full Load Amps	2.4			1.3			1		
Service Outlet 115V GFI (amps)		15			15			20		
Indoor Blower Motor	Horsepower	2	3	5	2	3	5	2	3	5
	Full Load Amps	7.5	10.6	16.7	3.4	4.8	7.6	2.7	3.9	6.1
² Maximum Overcurrent Protection	Unit Only	50	50	60	25	25	30	15	20	20
	With (1) 0.33 HP Power Exhaust	50	60	70	25	25	30	20	20	25
³ Minimum Circuit Ampacity	Unit Only	42	45	52	20	22	25	15	16	19
	With (1) 0.33 HP Power Exhaust	45	48	55	22	23	26	16	17	20

ELECTRICAL ACCESSORIESDisconnect 80 amp - C1DISC080B-1 **54W56** (all models)

NOTE - All units have a minimum Short Circuit Current Rating (SCCR) of 5000 amps.

¹ Extremes of operating range are plus and minus 10% of line voltage.² HACR type breaker or fuse.³ Refer to National or Canadian Electrical Code manual to determine wire, fuse and disconnect size requirements.**7.5 TON HIGH EFFICIENCY (R-410A)****KGA092H4**

¹ Voltage - 60hz		208/230V - 3 Ph			460V - 3 Ph			575V - 3 Ph		
Compressor 1	Rated Load Amps	11.6			5.5			4.7		
	Locked Rotor Amps	86			37			34		
Compressor 2	Rated Load Amps	11.6			5.5			4.7		
	Locked Rotor Amps	86			37			34		
Outdoor Fan Motors (2)	Full Load Amps	2.4			1.3			1		
	(total)	(4.8)			(2.6)			(2)		
Power Exhaust (1) 0.33 HP	Full Load Amps	2.4			1.3			1		
Service Outlet 115V GFI (amps)		15			15			20		
Indoor Blower Motor	Horsepower	2	3	5	2	3	5	2	3	5
	Full Load Amps	7.5	10.6	16.7	3.4	4.8	7.6	2.7	3.9	6.1
² Maximum Overcurrent Protection	Unit Only	45	50	60	20	25	30	20	20	25
	With (1) 0.33 HP Power Exhaust	50	50	60	25	25	30	20	20	25
³ Minimum Circuit Ampacity	Unit Only	39	42	49	19	20	24	16	17	20
	With (1) 0.33 HP Power Exhaust	41	44	52	20	22	25	17	18	21

ELECTRICAL ACCESSORIESDisconnect 80 amp - C1DISC080B-1 **54W56** (all models)

NOTE - All units have a minimum Short Circuit Current Rating (SCCR) of 5000 amps.

¹ Extremes of operating range are plus and minus 10% of line voltage.² HACR type breaker or fuse.³ Refer to National or Canadian Electrical Code manual to determine wire, fuse and disconnect size requirements.

ELECTRICAL DATA**8.5 TON****8.5 TON STANDARD EFFICIENCY (R-410A)****KGB102S4**

¹ Voltage - 60hz		208/230V - 3 Ph			460V - 3 Ph			575V - 3 Ph		
Compressor 1	Rated Load Amps	14.5			6.3			6		
	Locked Rotor Amps	98			55			41		
Compressor 2	Rated Load Amps	14.5			6.3			6		
	Locked Rotor Amps	98			55			41		
Outdoor Fan Motors (2)	Full Load Amps	2.4			1.3			1		
	(total)	(4.8)			(2.6)			(2)		
Power Exhaust (1) 0.33 HP	Full Load Amps	2.4			1.3			1		
Service Outlet 115V GFI (amps)		15			15			20		
Indoor Blower Motor	Horsepower	2	3	5	2	3	5	2	3	5
	Full Load Amps	7.5	10.6	16.7	3.4	4.8	7.6	2.7	3.9	6.1
² Maximum Overcurrent Protection	Unit Only	50	60	70	25	25	30	20	25	25
	With (1) 0.33 HP Power Exhaust	60	60	70	25	25	30	25	25	25
³ Minimum Circuit Ampacity	Unit Only	45	49	55	21	22	25	19	20	22
	With (1) 0.33 HP Power Exhaust	48	51	58	22	23	27	20	21	23

ELECTRICAL ACCESSORIESDisconnect 80 amp - C1DISC080B-1 **54W56** (all models)

NOTE - All units have a minimum Short Circuit Current Rating (SCCR) of 5000 amps.

¹ Extremes of operating range are plus and minus 10% of line voltage.² HACR type breaker or fuse.³ Refer to National or Canadian Electrical Code manual to determine wire, fuse and disconnect size requirements.**8.5 TON HIGH EFFICIENCY (R-410A)****KGA102H4**

¹ Voltage - 60hz		208/230V - 3 Ph			460V - 3 Ph			575V - 3 Ph		
Compressor 1	Rated Load Amps	11			5.5			4.7		
	Locked Rotor Amps	86			37			34		
Compressor 2	Rated Load Amps	11			5.5			4.7		
	Locked Rotor Amps	86			37			34		
Outdoor Fan Motors (2)	Full Load Amps	2.4			1.3			1		
	(total)	(4.8)			(2.6)			(2)		
Power Exhaust (1) 0.33 HP	Full Load Amps	2.4			1.3			1		
Service Outlet 115V GFI (amps)		15			15			20		
Indoor Blower Motor	Horsepower	2	3	5	2	3	5	2	3	5
	Full Load Amps	7.5	10.6	16.7	3.4	4.8	7.6	2.7	3.9	6.1
² Maximum Overcurrent Protection	Unit Only	45	50	60	20	25	30	20	20	25
	With (1) 0.33 HP Power Exhaust	50	50	60	25	25	30	20	20	25
³ Minimum Circuit Ampacity	Unit Only	38	41	48	19	20	24	16	17	20
	With (1) 0.33 HP Power Exhaust	40	43	51	20	22	25	17	18	21

ELECTRICAL ACCESSORIESDisconnect 80 amp - C1DISC080B-1 **54W56** (all models)

NOTE - All units have a minimum Short Circuit Current Rating (SCCR) of 5000 amps.

¹ Extremes of operating range are plus and minus 10% of line voltage.² HACR type breaker or fuse.³ Refer to National or Canadian Electrical Code manual to determine wire, fuse and disconnect size requirements.

ELECTRICAL DATA**10 TON****10 TON STANDARD EFFICIENCY (R-410A)****KGB120S4**

¹ Voltage - 60hz		208/230V - 3 Ph			460V - 3 Ph			575V - 3 Ph		
Compressor 1	Rated Load Amps	13.5			8			5		
	Locked Rotor Amps	109			59			40		
Compressor 2	Rated Load Amps	13.5			8			5		
	Locked Rotor Amps	109			59			40		
Outdoor Fan Motors (2)	Full Load Amps	2.4			1.3			1		
	(total)	(4.8)			(2.6)			(2)		
Power Exhaust (1) 0.33 HP	Full Load Amps	2.4			1.3			1		
Service Outlet 115V GFI (amps)		15			15			20		
Indoor Blower Motor	Horsepower	2	3	5	2	3	5	2	3	5
	Full Load Amps	7.5	10.6	16.7	3.4	4.8	7.6	2.7	3.9	6.1
² Maximum Overcurrent Protection	Unit Only	50	50	60	30	30	35	20	20	25
	With (1) 0.33 HP Power Exhaust	50	60	70	30	30	35	20	20	25
³ Minimum Circuit Ampacity	Unit Only	43	46	53	24	26	29	16	18	20
	With (1) 0.33 HP Power Exhaust	46	49	56	26	27	30	17	19	21

ELECTRICAL ACCESSORIESDisconnect 80 amp - C1DISC080B-1 **54W56** (all models)

NOTE - All units have a minimum Short Circuit Current Rating (SCCR) of 5000 amps.

¹ Extremes of operating range are plus and minus 10% of line voltage.² HACR type breaker or fuse.³ Refer to National or Canadian Electrical Code manual to determine wire, fuse and disconnect size requirements.**10 TON HIGH EFFICIENCY (R-410A)****KGA120H4**

¹ Voltage - 60hz		208/230V - 3 Ph			460V - 3 Ph			575V - 3 Ph		
Compressor 1	Rated Load Amps	13.5			8			5		
	Locked Rotor Amps	109			59			40		
Compressor 2	Rated Load Amps	13.5			8			5		
	Locked Rotor Amps	109			59			40		
Outdoor Fan Motors (2)	Full Load Amps	2.4			1.3			1		
	(total)	(4.8)			(2.6)			(2)		
Power Exhaust (1) 0.33 HP	Full Load Amps	2.4			1.3			1		
Service Outlet 115V GFI (amps)		15			15			20		
Indoor Blower Motor	Horsepower	2	3	5	2	3	5	2	3	5
	Full Load Amps	7.5	10.6	16.7	3.4	4.8	7.6	2.7	3.9	6.1
² Maximum Overcurrent Protection	Unit Only	50	50	60	30	30	35	20	20	25
	With (1) 0.33 HP Power Exhaust	50	60	70	30	30	35	20	20	25
³ Minimum Circuit Ampacity	Unit Only	43	46	53	24	26	29	16	18	20
	With (1) 0.33 HP Power Exhaust	46	49	56	26	27	30	17	19	21

ELECTRICAL ACCESSORIESDisconnect 80 amp - C1DISC080B-1 **54W56** (all models)

NOTE - All units have a minimum Short Circuit Current Rating (SCCR) of 5000 amps.

¹ Extremes of operating range are plus and minus 10% of line voltage.² HACR type breaker or fuse.³ Refer to National or Canadian Electrical Code manual to determine wire, fuse and disconnect size requirements.

ELECTRICAL DATA**12.5 TON STANDARD EFFICIENCY (R-410A)****KGB150S4**

¹ Voltage - 60hz		208/230V - 3 Ph			460V - 3 Ph			575V - 3 Ph		
Compressor 1	Rated Load Amps	19.6			8.2			6.6		
	Locked Rotor Amps	136			66.1			55.3		
Compressor 2	Rated Load Amps	22.4			10.6			7.7		
	Locked Rotor Amps	149			75			54		
Outdoor Fan Motors (2)	Full Load Amps	3			1.5			1.2		
	(total)	(6)			(3)			(2.4)		
Power Exhaust (1) 0.33 HP	Full Load Amps	2.4			1.3			1		
Service Outlet 115V GFI (amps)		15			15			20		
Indoor Blower Motor	Horsepower	2	3	5	2	3	5	2	3	5
	Full Load Amps	7.5	10.6	16.7	3.4	4.8	7.6	2.7	3.9	6.1
² Maximum Overcurrent Protection	Unit Only	80	80	90	35	35	40	25	30	30
	With (1) 0.33 HP Power Exhaust	80	80	90	35	40	40	30	30	30
³ Minimum Circuit Ampacity	Unit Only	62	65	71	28	30	33	22	23	25
	With (1) 0.33 HP Power Exhaust	64	67	73	30	31	34	23	24	26

ELECTRICAL ACCESSORIES

Disconnect	80 amp - C1DISC080B-1	54W56 (all models)
------------	-----------------------	---------------------------

NOTE - All units have a minimum Short Circuit Current Rating (SCCR) of 5000 amps.

¹ Extremes of operating range are plus and minus 10% of line voltage.² HACR type breaker or fuse.³ Refer to National or Canadian Electrical Code manual to determine wire, fuse and disconnect size requirements.

KGA/KGB PARTS ARRANGEMENT

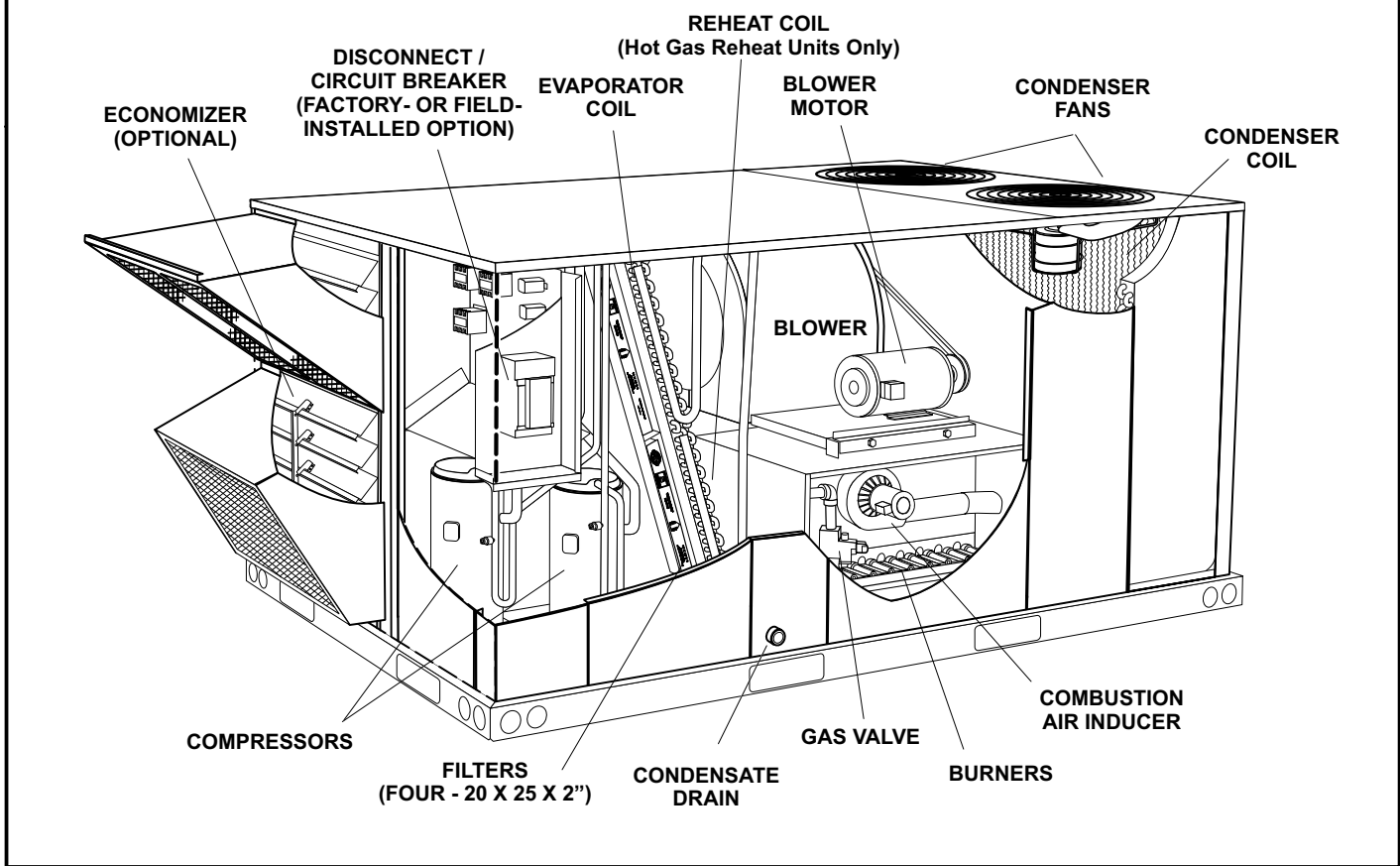


FIGURE 1

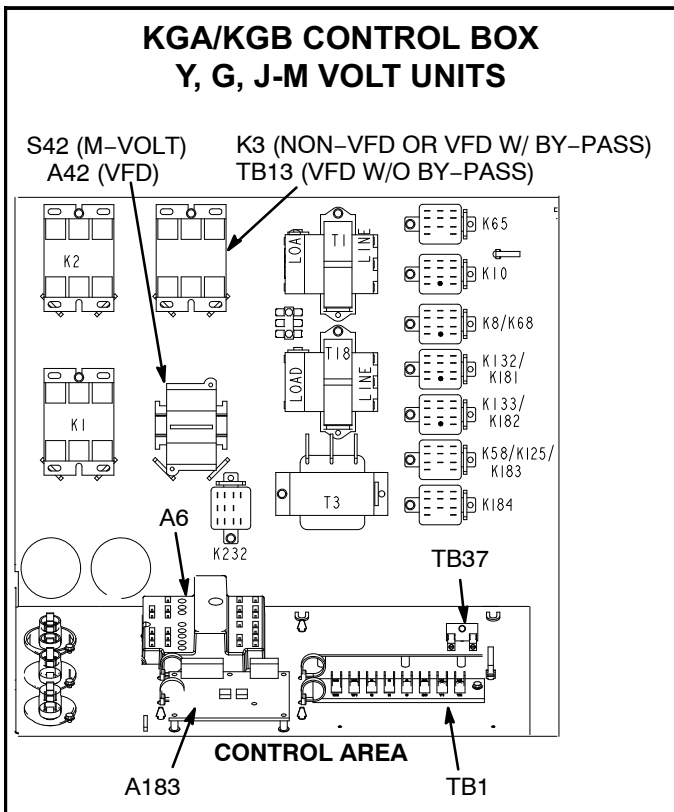


FIGURE 2

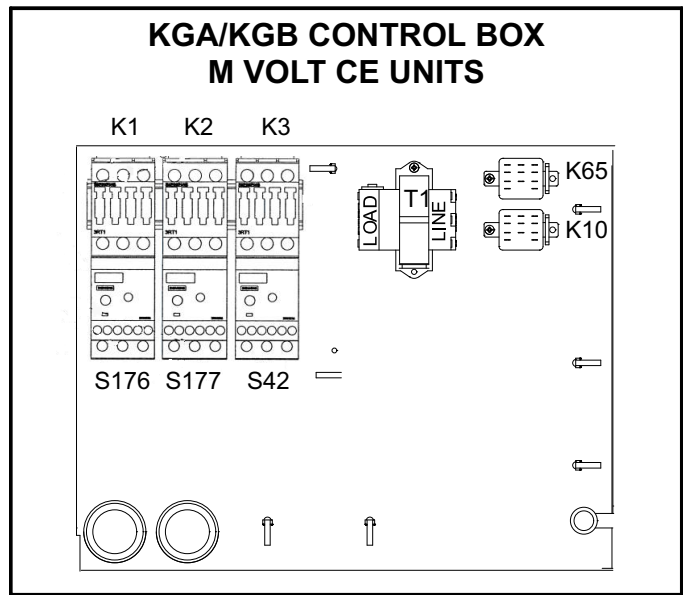


FIGURE 3

I-UNIT COMPONENTS

All 7.5 through 12.5 ton (26.3 through 44 kW) units are configured to order units (CTO). The KGA/KGB unit components are shown in figure 1. All units come standard with removable unit panels. All L1, L2 and L3 wiring is color-coded; L1 is red, L2 is yellow and L3 is blue.

A-Control Box Components

KGA/KGB control box components are shown in figures 2 and 3. The control box is located in the upper portion of the compressor compartment.

1-Disconnect Switch S48 (Field-Installed for all units)

All units may be equipped with an optional disconnect switch S48 or circuit breaker CB10. S48 and CB10 are toggle switches, which can be used by the service technician to disconnect power to the unit.

2-Control Transformer T1 all units

All use a single line voltage to 24VAC transformer installed in the control box. The transformer supplies power to control circuits in the unit. The transformer is rated at 70VA and is protected by a 3.5 amp circuit breaker (CB8). The 208/230 (Y) voltage transformers use two

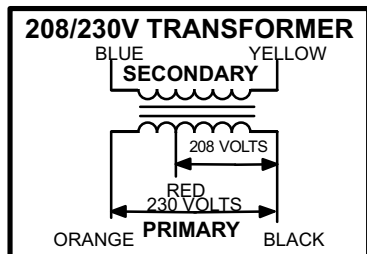


FIGURE 4

primary voltage taps as shown in figure 4, while 460 (G) and 575 (J) voltage transformers use a single primary voltage tap.

3-C. A. I. Transformers T3 575V units

All KGA/KGB 575 (J) voltage units use transformer T3 located in the control box. The transformers have an output rating of 0.5A. T3 transformer supplies 230 VAC power to the combustion air inducer motor (B6).

4-Terminal Strip TB1

All indoor thermostat connections are made at terminal block TB1 located in the control area. For thermostats without “occupied “ and “unoccupied” modes, a factory-installed jumper across terminals R and OC should be in place.

5-Condenser Fan Capacitors C1 & C2

Fan capacitors C1 and C2 are used to assist in the start up of condenser fans B4 and B5. Ratings will be on side of capacitor or outdoor fan motor nameplate.

6-Compressor Contactor K1 & K2

All compressor contactors are three-pole-double-break contactors with 24VAC coils. In all KGA/KGB units, K1 and K2 energize compressors B1 and B2 in response to thermostat demand. On CE M-voltage units, contactor is CE approved by manufacturer (Siemens). See figure 5.

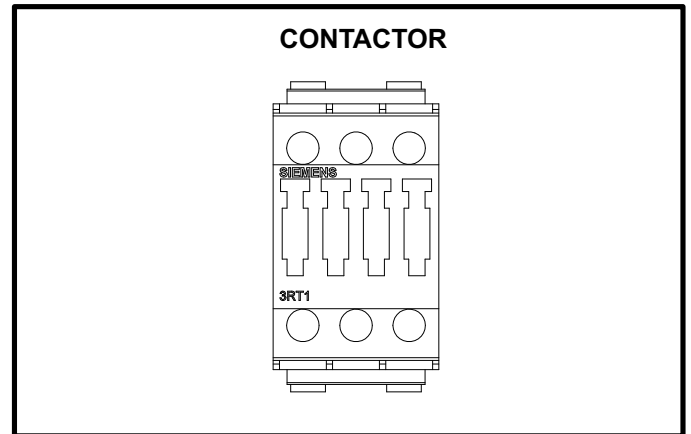


FIGURE 5

7-Blower Contactor K3

Blower contactor K3, used in all units, is a three-pole-double-break contactor with a 24VAC coil used to energize the indoor blower motor B3 in response to blower demand. K3 is energized by a thermostat cooling demand. On M-volt CE units, the contactor is CE approved by manufacturer (Siemens). See figure 5.

8-Condenser Fan Relay K10

Outdoor fan relay K10 is a DPDT relay with a 24VAC coil. K10 energizes condenser fans B4 and B5.

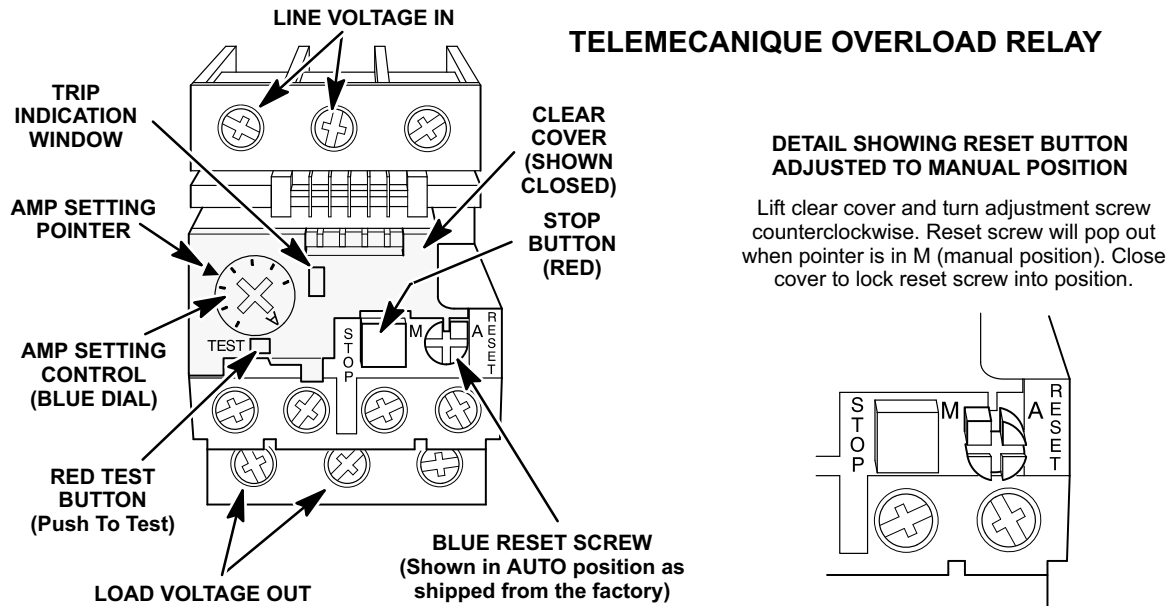
9-Power Exhaust Relay K65 (PED units)

Power exhaust relay K65 is a DPDT relay with a 24VAC coil. K65 is used in all KGA/KGB units equipped with the optional power exhaust dampers. K65 is energized by the economizer enthalpy control A6, after the economizer dampers reach 50% open (adjustable) When K65 closes, exhaust fan B10 is energized.

10-Blower Motor Overload Relay Switch (S42)

The blower motor overload relay is used in all units equipped with high-efficiency motors. The relay (S42) is connected in line with the blower motor to monitor the current flow to the motor. When the relay senses an overload condition, a set of normally closed contacts open to de-energize 24VAC power to T1 transformer. Non-CE units are equipped with a relay manufactured by Telemecanique figure 6 or Siemens figure 7.

TELEMECANIQUE OVERLOAD RELAY



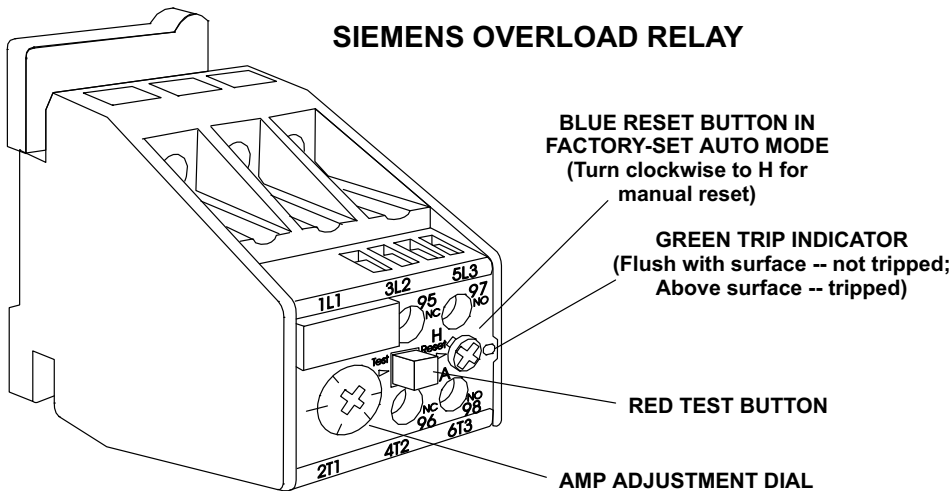
Lift clear cover to adjust relay amp setting according to value given on the blower motor nameplate. Proper relay amp setting equals motor nameplate FLA X service factor of 1.15 X .95. Cover must also be lifted to adjust control mode from automatic reset to manual reset (see detail above) and to test the control.

Control must be in the manual reset mode to perform a test. Use a pointed object to press the small red test button. A yellow marker should appear in the trip indication window to the right of the amp setting control. Press the blue reset screw to reset the relay.

The red STOP button opens the normally closed contacts which power the blower motor. This button stops blower motor operation as long as it is pressed in.

FIGURE 6

SIEMENS OVERLOAD RELAY



Adjust relay amp setting according to value given on the blower motor nameplate. Proper relay amp setting equals motor nameplate FLA X service factor of 1.15 X .95.

Use small slotted screwdriver to adjust control mode from automatic reset (A) to manual reset (H). Control must be in the manual reset mode (H) to perform a test. Press the red test button. Green trip indicator should pop out. Press the blue reset screw to reset the relay.

FIGURE 7

**KGA/KGB092,102, 120, 150 PLUMBING, COMPRESSOR AND REFRIGERANT CIRCUIT DETAIL
Fin / Tube Outdoor Coil Shown**

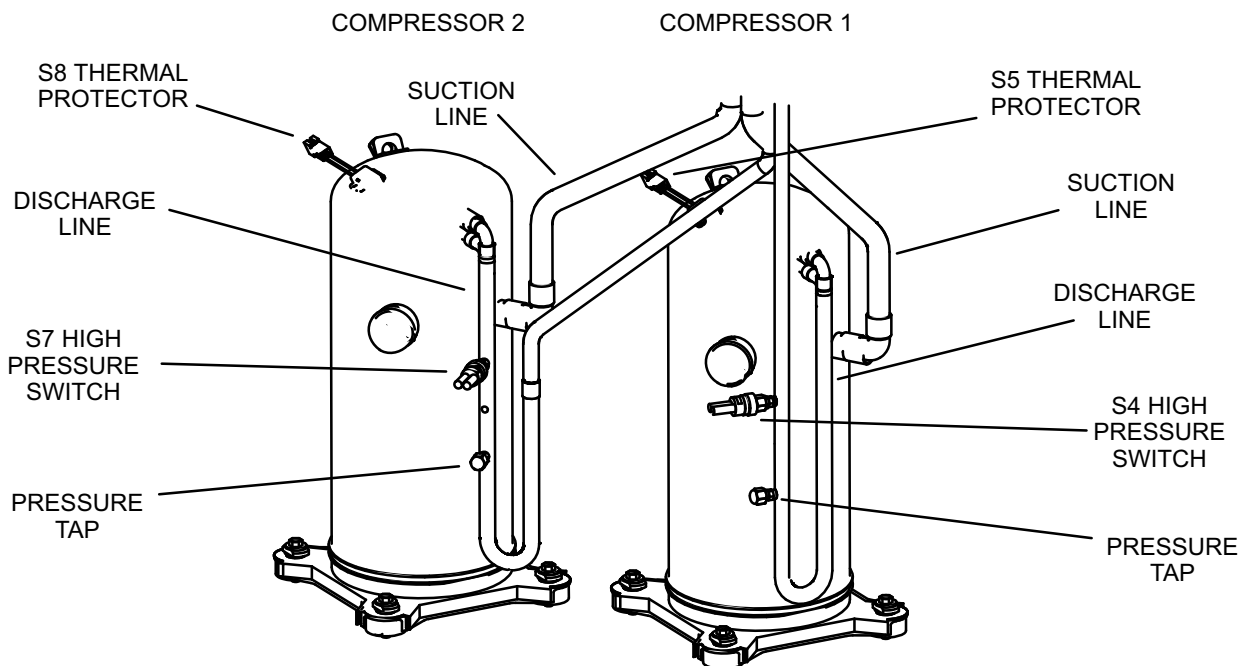
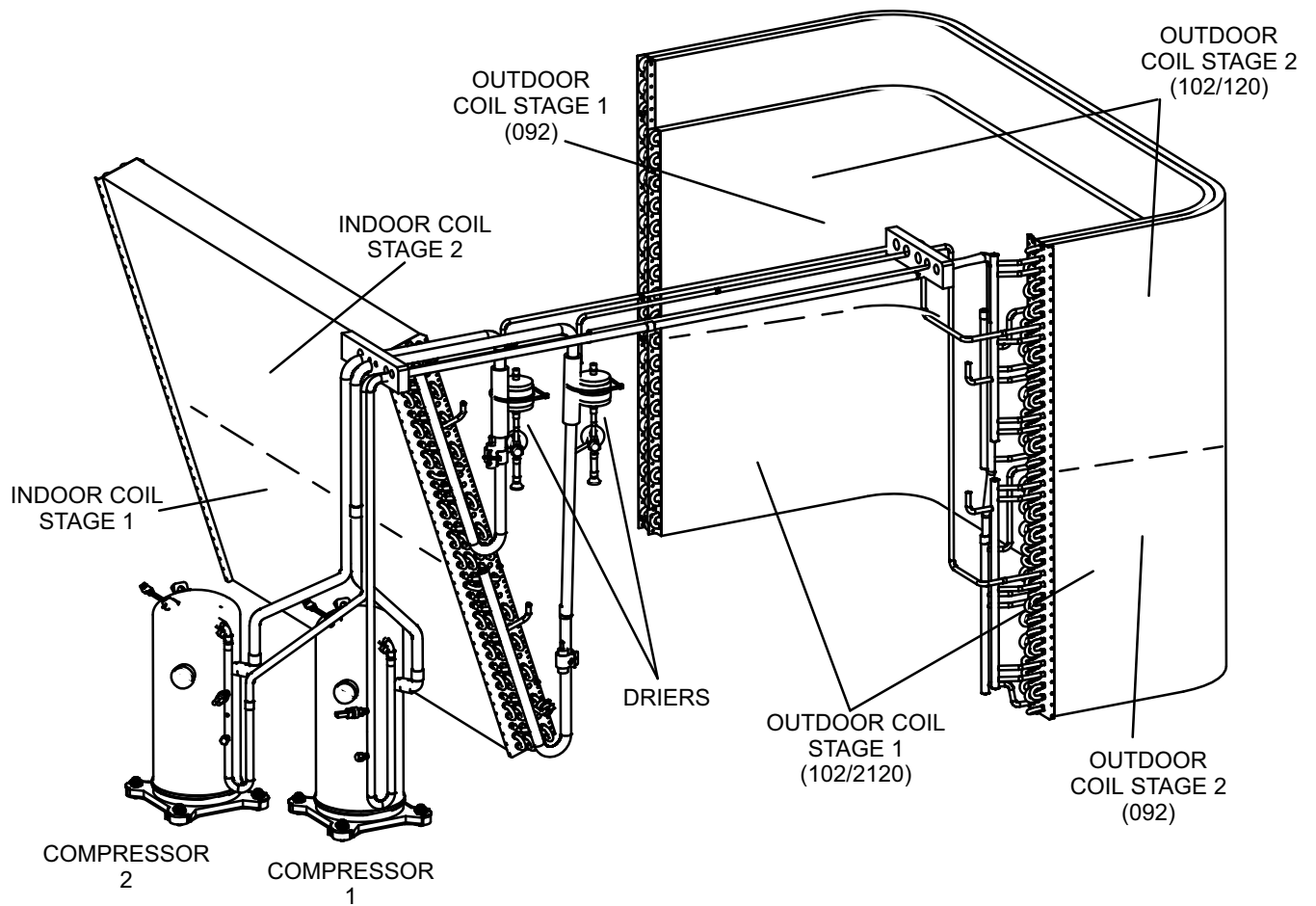


FIGURE 8

KGB WITH OPTIONAL REHEAT KGB092 - 120 Shown

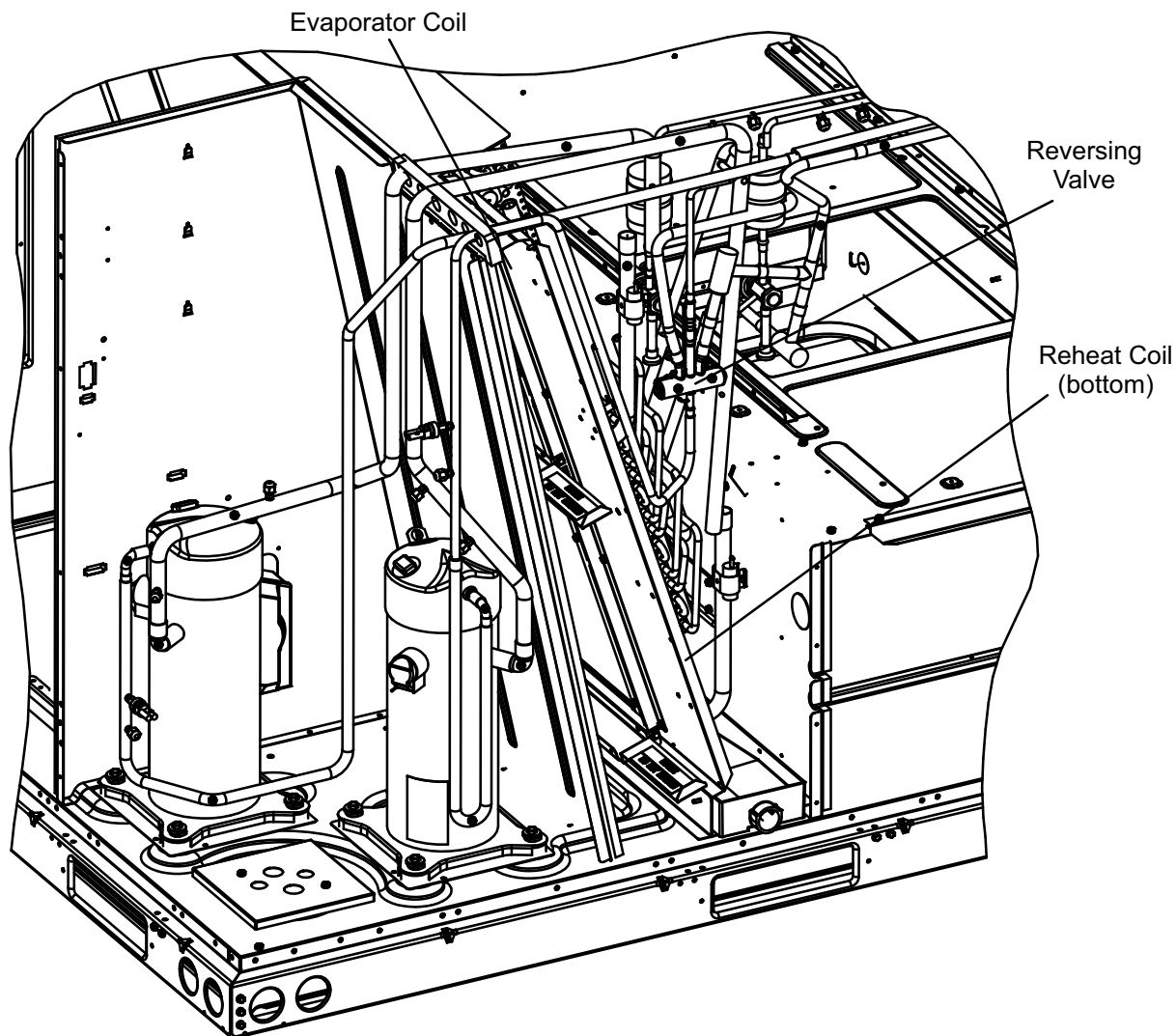


FIGURE 9

B-Cooling Components

All units use independent cooling circuits consisting of separate compressors, condenser coils and evaporator coils. See figures 8 and 9. Two draw-through-type condenser fans are used in KGA/KGB092/150 units. All units are equipped with belt-drive blowers which draw air across the evaporator during unit operation.

Cooling may be supplemented by a factory- or field-installed economizer. Each evaporator uses a thermostatic expansion valve as the primary refrigerant device. Evaporators on high efficiency and standard units with reheat use

a thermostatic expansion valve as the primary refrigerant metering device. Standard units without reheat use orifices (except 150S). The evaporators are slab-type and are stacked. Each evaporator is also equipped with enhanced fins and rifled tubing.

In all units each compressor is protected by S49 and S50 freezestats and S4 and S7 high pressure switches (on each evaporator). Low ambient switches (S11 and S84) are available as an option for additional compressor protection. On 150 units, each compressor is protected by a crankcase heater.

1-Compressors B1 and B2

All KGA/KGB092/150 units use two scroll compressors. Compressor capacity may vary from stage to stage. In all cases, the capacity of each compressor is added to reach the total capacity of the unit. See "SPECIFICATIONS" and "ELECTRICAL DATA" (table of contents) or compressor nameplate for compressor specifications.

WARNING

Electrical shock hazard. Compressor must be grounded. Do not operate without protective cover over terminals. Disconnect power before removing protective cover. Discharge capacitors before servicing unit. Failure to follow these precautions could cause electrical shock resulting in injury or death.

Each compressor is energized by a corresponding compressor contactor.

NOTE-Refer to the wiring diagram section for specific unit operation.

If Interlink compressor replacement is necessary, call 1-800-453-6669.

IMPORTANT

Some scroll compressors have an internal vacuum protector that will unload scrolls when suction pressure goes below 20 psig. A hissing sound will be heard when the compressor is running unloaded. Protector will reset when low pressure in system rises above 40 psig. DO NOT REPLACE COMPRESSOR.

2-Thermal Protectors S5, S8

Some compressors have thermal protectors located on top of the compressor. The protectors open at $248^{\circ}\text{F} \pm 9^{\circ}\text{F}$ ($120^{\circ}\text{C} \pm 5^{\circ}\text{C}$) and close at $169^{\circ}\text{F} \pm 18^{\circ}\text{F}$ ($76^{\circ}\text{C} \pm 10^{\circ}\text{C}$).

3-Freezestats S49 and S50

Each unit is equipped with a low temperature switch (freezestat) located on a return bend of each evaporator coil. S49 (first circuit) and S50 (second circuit) are located on the corresponding evaporator coils.

Freezestats are wired in series with compressor contactors. Each freezestat is a SPST N.C. auto-reset switch which opens at $29^{\circ}\text{F} \pm 3^{\circ}\text{F}$ ($-1.7^{\circ}\text{C} \pm 1.7^{\circ}\text{C}$) on a temperature drop and closes at $58^{\circ}\text{F} \pm 4^{\circ}\text{F}$ ($14.4^{\circ}\text{C} \pm 2.2^{\circ}\text{C}$) on a temperature rise. To prevent coil icing, freezestats open during compressor operation to temporarily disable the respective compressor until the coil temperature rises.

If the freezestats are tripping frequently due to coil icing, check the airflow/filters, economizer position and unit charge before allowing unit back in operation. Make sure to eliminate conditions which might promote evaporator ice buildup.

4-High Pressure Switches S4 and S7

The high pressure switch is a manual reset SPST N.C. switch which opens on a pressure rise.

S4 (first circuit) and S7 (second circuit) are located in the compressor discharge line and are wired in series with the respective compressor contactor coils.

When discharge pressure rises to 640 ± 12 psig (4413 ± 138 kPa) (indicating a problem in the system), the switch opens and the respective compressor is de-energized (the economizer can continue to operate).

5-Low Ambient Switches S11 & S84 (optional)

The low ambient switch is an auto-reset SPST N.O. pressure switch which allows for mechanical cooling operation at low outdoor temperatures. In all models, a switch is located in each liquid line prior to the indoor coil section.

In the KGA/KGB092/150, S11 and S84 are wired in parallel with outdoor fan relay K10.

When liquid pressure rises to 450 ± 10 psig (3102 ± 69 kPa), the switch closes and the condenser fans are energized. When liquid pressure in both refrigerant circuits drops to 240 ± 10 psig (1655 ± 69 kPa), the switches open and the condenser fans are de-energized. This intermittent fan operation results in higher evaporating temperature allowing the system to operate without icing the evaporator coil and losing capacity.

6-Crankcase Heaters HR1, HR2

150S units use insertion-type heaters. Heater HR1 is installed around compressor B1 and heater HR2 is installed around compressor B2. Crankcase heater wattage varies by compressor manufacturer.

7- Filter Drier

Units have a filter drier located in the liquid line of each refrigerant circuit at the exit of each condenser coil. The drier removes contaminants and moisture from the system.

8- Condenser Fans B4, B5

See SPECIFICATINOS tables at the front of this manual for specifications of condenser fans used in all units. All condenser fans used have single-phase motors. The fan assembly may be removed for servicing and cleaning.

C-Blower Compartment

The blower compartment in all KGA/KGB092/150S units is located between the evaporator coil and the condenser coil section. The blower assembly is accessed by disconnecting the blower motor. See *Blower Access* in the Operation/Adjustment section.

1-Blower Wheels

All KGA/KGB092/150 units have one 15 in. x 15 in. (381 mm x 381 mm) blower wheel.

2-Indoor Blower Motor B3

All units use three-phase single-speed blower motors. CFM adjustments are made by adjusting the motor pulley (sheave). Motors are equipped with sealed ball bearings. All motor specifications are listed in the SPECIFICATIONS (table of contents) in the front of this manual. Units may be equipped with motors manufactured by various manufacturers, therefore electrical FLA and LRA specifications will vary. See unit rating plate for information specific to your unit.

Operation and Adjustments

A-Three Scroll Compressor Voltage Phasing

Three phase scroll compressors must be phased sequentially to ensure correct compressor and blower rotation and operation. Compressor and blower are wired in phase at the factory. Power wires are color-coded as follows: line 1-red, line 2-yellow, line 3-blue.

- 1- Observe suction and discharge pressures and blower rotation on unit start-up.

If pressure differential is not observed or blower rotation is not correct:

- 2- Suction pressure must drop, discharge pressure must rise, and blower rotation must match rotation marking.
- 3- Disconnect all remote electrical power supplies.
- 4- Reverse any two field-installed wires connected to the line side of K3, TB2 or F4. Do not reverse wires at blower contactor or compressors.

- 5- Make sure the connections are tight.

Discharge and suction pressures should operate at their normal start-up ranges.

Supply Air Inverter Units - Units are equipped with a phase monitor located in the control compartment. The phase monitor will detect the phasing of incoming power. If the incoming power is out of phase or if any of the three phases are lost, the indicating LED on the phase monitor will turn red and the unit will not start. In normal operation with correct incoming power phasing, the LED will be green.

B-Blower Operation

Initiate blower demand at thermostat according to instructions provided with thermostat. Unit will cycle on thermostat demand. The following steps apply to applications using a typical electro-mechanical thermostat.

- 1- Blower operation is manually set at the thermostat sub-base fan switch. With fan switch in **ON** position, blowers will operate continuously.
- 2- With fan switch in **AUTO** position, the blowers will cycle with demand. Blowers and entire unit will be off when system switch is in **OFF** position.

C-Blower Access

The blower assembly is secured to a sliding frame which allows the blower motor to be pulled out of the unit. See figure 10.

- 1- Loosen the reusable wire tie which secures the blower wiring to the blower motor mounting plate.
- 2- Remove and retain screws on either side of sliding frame. Pull frame toward outside of unit.
- 3- Slide frame back into original position when finished servicing. Reattach the blower wiring in the previous location on the blower motor base using the wire tie.
- 4- Replace retained screws on either side of the sliding frame.

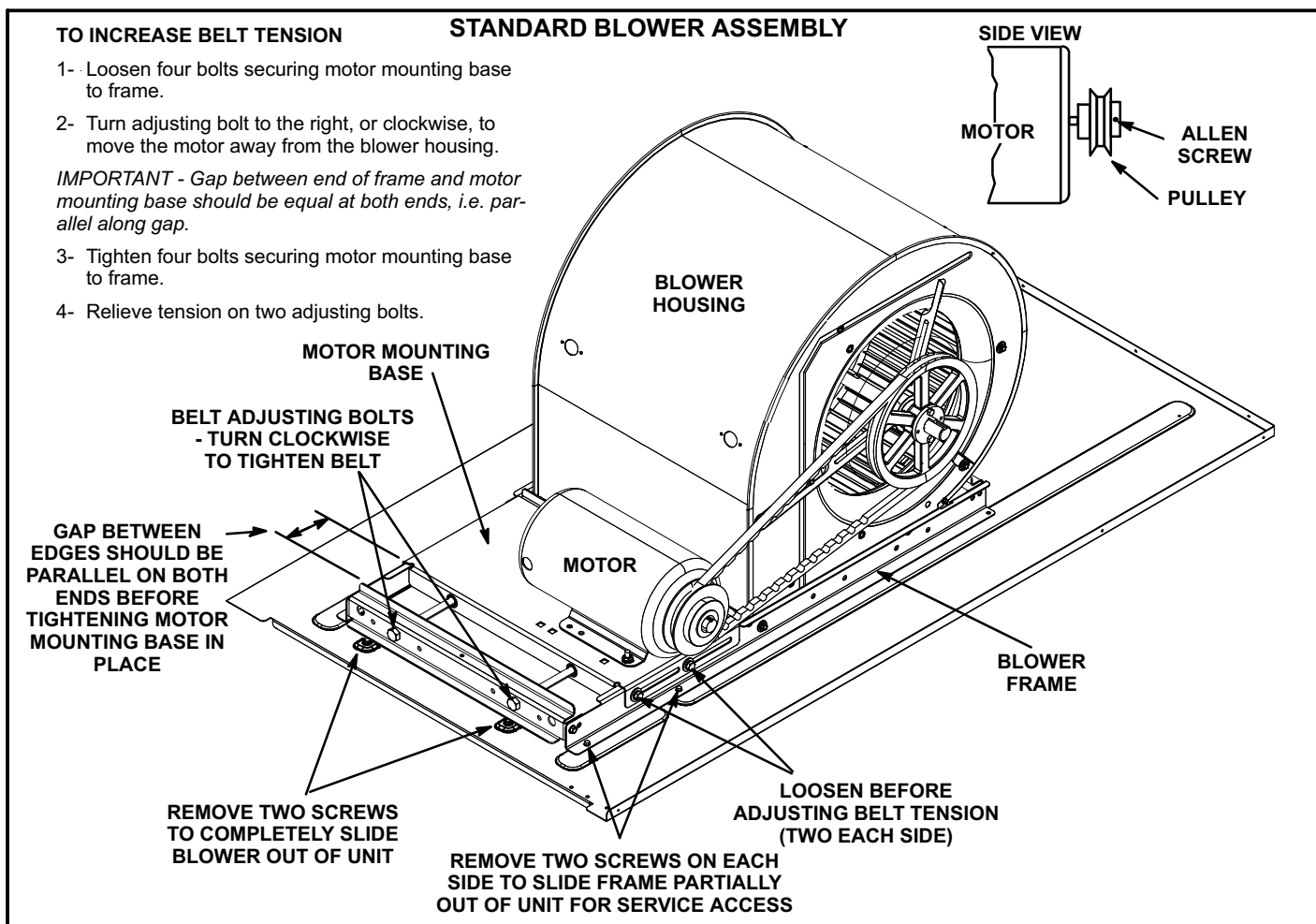


FIGURE 10

D-Determining Unit CFM

IMPORTANT - Units equipped with an inverter are factory-set to run the blower at full speed when there is a blower (G) demand without a heating or cooling demand. Use the following procedure to adjust motor pulley to deliver the full load cooling or heating CFM. See Inverter Start-Up section to set blower CFM for all modes once the motor pulley is set.

- 1- The following measurements must be made with a dry indoor coil. Run blower without a cooling demand. Measure the indoor blower shaft RPM. Air filters must be in place when measurements are taken.
 - 2- With all access panels in place, measure static pressure external to unit (from supply to return). Blower performance data is based on static pressure readings taken in locations shown in figure 11.
- Note - Static pressure readings can vary if not taken where shown.*
- 3- Referring to page 13, 14, or 15, use static pressure and RPM readings to determine unit CFM. Use pages 16 and 17 when installing units with any of the optional accessories listed.

- 4- The blower RPM can be adjusted at the motor pulley. Loosen Allen screw and turn adjustable pulley clockwise to increase CFM. Turn counterclockwise to decrease CFM. See figure 10. Do not exceed minimum and maximum number of pulley turns as shown in table 1.

**TABLE 1
MINIMUM AND MAXIMUM PULLEY ADJUSTMENT**

Belt	Minimum Turns Open	Maximum Turns Open
A Section	0	5
B Section	1*	6

*No minimum number of turns open when B belt is used on pulleys 6" O.D. or larger.

E-Blower Belt Adjustment

Maximum life and wear can be obtained from belts only if proper pulley alignment and belt tension are maintained. Tension new belts after a 24-48 hour period of operation. This will allow belt to stretch and seat in the pulley grooves. Make sure blower and motor pulleys are aligned as shown in figure 12.

- 1- Loosen four bolts securing motor base to mounting frame. See figure 10.

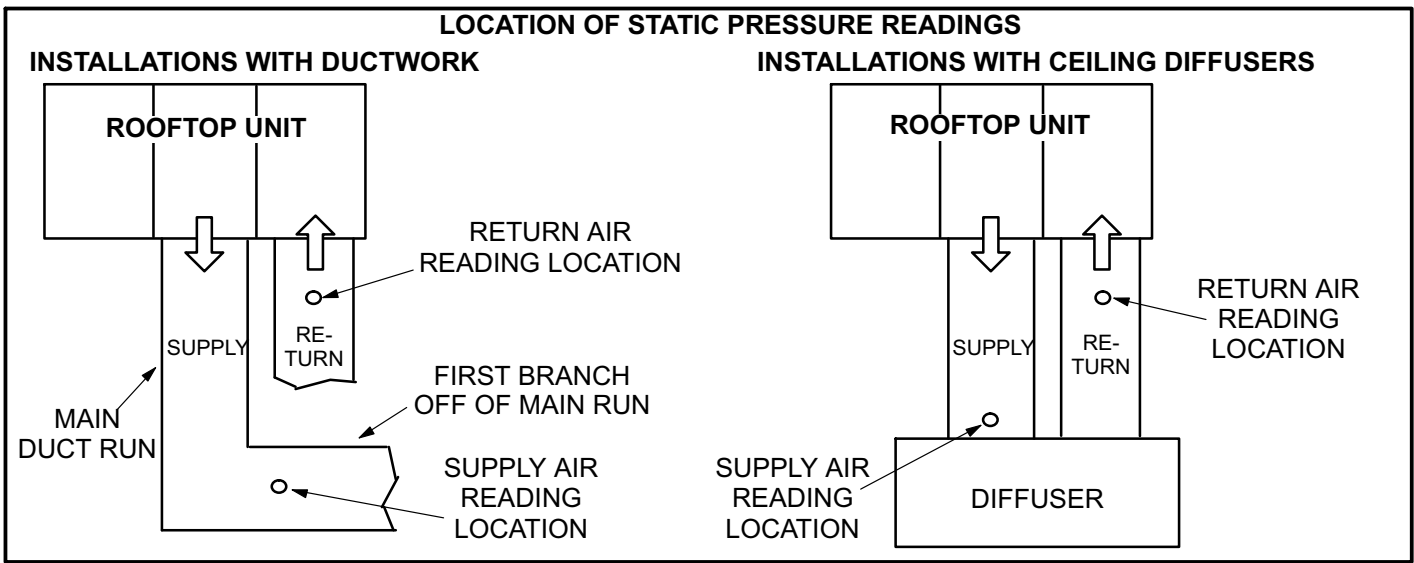


FIGURE 11

2- To increase belt tension -

Turn both adjusting bolts to the right, or clockwise, to move the motor outward and tighten the belt. This increases the distance between the blower motor and the blower housing.

To loosen belt tension -

Turn the adjusting bolts to the left, or counterclockwise to loosen belt tension.

IMPORTANT - Align top edges of blower motor base and mounting frame base parallel before tightening two bolts on the other side of base. Motor shaft and blower shaft must be parallel.

3- Tighten two bolts on each side of the motor mounting base. This secures the mounting base to the frame.

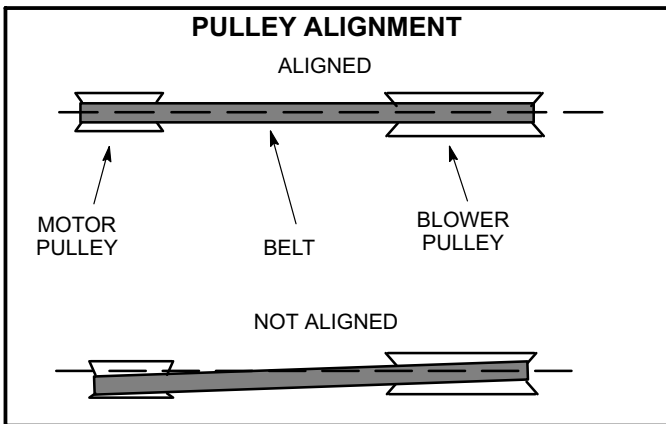


FIGURE 12

F-Check Belt Tension

Overtensioning belts shortens belt and bearing life. Check belt tension as follows:

1- Measure span length X. See figure 13.

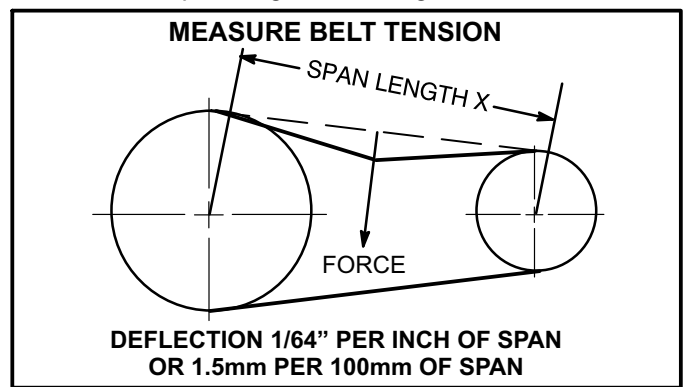


FIGURE 13

2- Apply perpendicular force to center of span (X) with enough pressure to deflect belt 1/64" for every inch of span length or 1.5mm per 100mm of span length.

Example: Deflection distance of a 40" span would be 40/64" or 5/8".

Example: Deflection distance of a 400mm span would be 6mm.

3- Measure belt deflection force. For a new 2 and 3hp belt, the deflection force should be 5.0-7.0 lbs. (35-48kPa). For a new 5hp belt, the deflection force should be 7-10lbs. (48-69kPa).

A force below these values indicates an undertensioned belt. A force above these values indicates an overtensioned belt.

G-Field-Furnished Blower Drives

For field-furnished blower drives, use pages 13 through 17 to determine BHP and RPM required. Reference table 2 for drive component manufacturer's numbers.

**TABLE 2
MANUFACTURER'S NUMBERS**

DRIVE NO.	DRIVE COMPONENTS					
	ADJUSTABLE SHEAVE		FIXED SHEAVE		BELT	
	BROWNING NO.	OEM PART NO.	BROWNING NO.	OEM PART NO.	BROWNING NO.	OEM PART NO.
1	1VP34x7/8	31K6901	AK61x1	100244-20	AX54	100245-25
2	1VP40x7/8	79J0301	AK59x1	31K6801	AX55	100245-26
3	1VP34x7/8	31K6901	AK46x1	100244-17	AX52	100245-33
4	1VP44x7/8	53J9601	AK74x1	100244-21	AX58	100245-34
5	1VP50x7/8	98J0001	AK69x1	37L4701	AX58	100245-34
6	1VP50x7/8	98J0001	AK64x1	12L2501	AX57	100245-28
10	1VP50x1-1/8	P-8-1977	BK77x1	49K4001	BX59	59A5001
11	1VP50x1-1/8	P-8-1977	BK67x1	100244-24	BX57	78L5301
12	1VP50x1-1/8	P-8-1977	BK62x1	100244-23	BX56	100245-11

D-GAS HEAT COMPONENTS

KGA/KGB092/150 units are available in 130,000 BTUH (38.1 kW), 180,000 BTUH (52.7 Kw) or 240,000 BTUH (70.3 kW) heat sizes.

1-Heat Exchanger Figure 14

The KGA/KGB units use aluminized steel inshot burners with tubular aluminized steel heat exchangers and two-stage redundant gas valves. KGA/KGB092/150 units use one eleven-tube/burner for high heat, one eight-tube/burner for medium heat and one six-tube/burner for standard heat. Burners in all units use a burner venturi to mix gas and air for proper combustion. Combustion takes place at each tube entrance. As hot combustion gases are drawn upward through each tube by the combustion air inducer, exhaust gases are drawn out the top and fresh air/gas mixture is drawn in at the bottom. Heat is transferred to the air stream from all surfaces of the heat exchanger tubes. The supply air blower forces air across the tubes to extract the heat of combustion. The shape of the tubes ensures maximum heat exchange.

The gas valves accomplish staging by allowing more or less gas to the burners as called for by heating demand.

2-Burner Box Assembly (Figure 15)

The burner assembly consists of a spark electrode, flame sensing electrode and gas valve. Ignition board A3 controls all functions of the assembly.

Burners

All units use inshot burners. Burners are factory-set and do not require adjustment. A peep hole with a cover is furnished in the heating access panel for viewing the burner flame. Always operate the unit with the access panel in place.

Burners can be removed individually for service. Burner maintenance and service is detailed in the SERVICE CHECKS section of this manual.

3-Primary High Temperature Limit S10

S10 is a SPST N.C. high-temperature primary limit for gas heat in KGA/KGB092/150 units. On KGA/KGB092/150 units, S10 is located next to the blower. See figure 16.

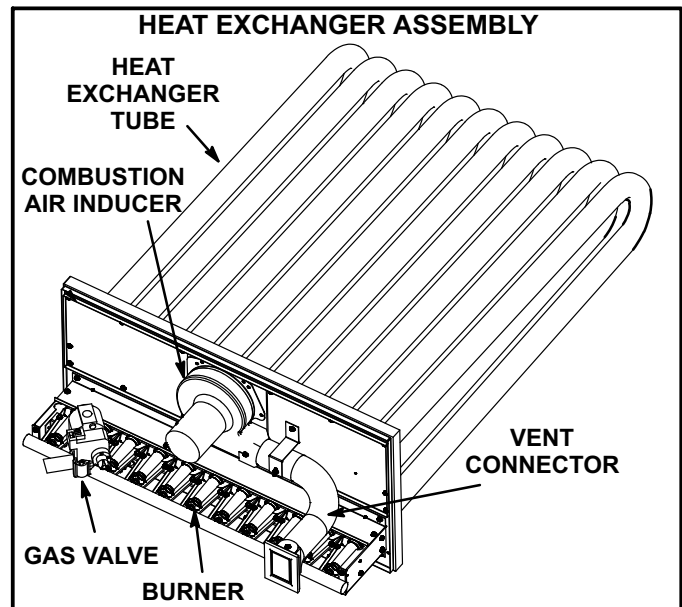


FIGURE 14

Orifice

Each burner uses an orifice which is matched to the burner input. The orifice is threaded into the burner manifold. The burner is supported by the orifice and will easily slide off for service once the mounting screws are removed from the burners. Each orifice and burner are sized specifically to the unit.

NOTE-Do not use thread sealing compound on the orifices. Using thread sealing compound may plug the orifices.

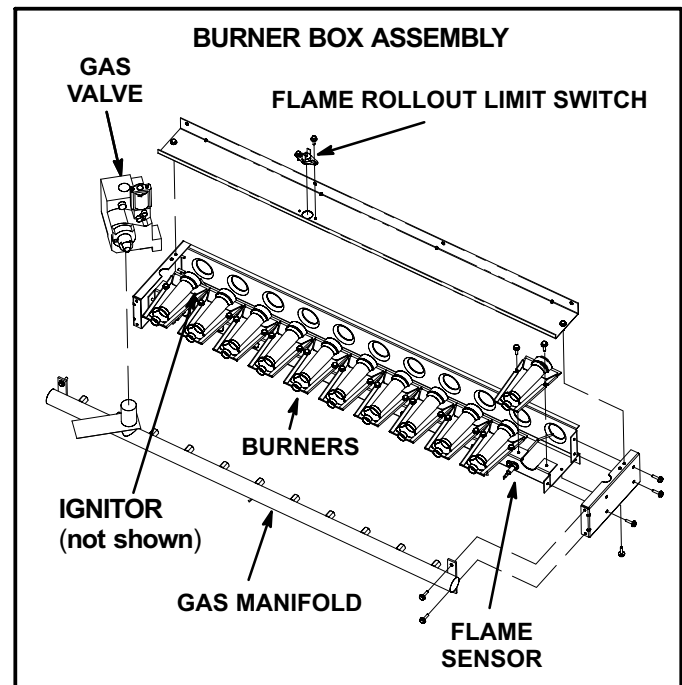


FIGURE 15

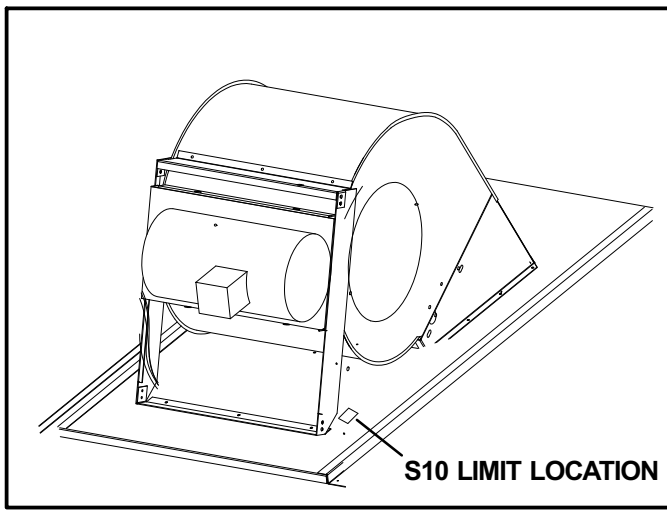


FIGURE 16

Primary limit S10 is wired to the ignition control A3. Its N.C. contacts open to de-energize the ignition control when excessive temperature is reached in the blower compartment. If the limit trips, the blower relay coil K3 will be energized by ignition control A3. Three limits with different actuating temperatures are used for limits S10. Use appropriate limit when replacement is required.

4-Flame Rollout Limit Switch S47

Flame rollout limit switch S47 is a SPST N.C. high-temperature limit located just above the burner air intake opening in the burner enclosures (see figure 15). S47 is wired to the ignition control A3. When S47 senses flame rollout (indicating a blockage in the combustion air passages), the flame rollout limit trips and the ignition control immediately closes the gas valve.

Limit S47 is factory-set to open at $290^{\circ}\text{F} \pm 12^{\circ}\text{F}$ ($143^{\circ}\text{C} \pm 6.7^{\circ}\text{C}$) on a temperature rise on all units. All flame rollout limits are manual reset.

5-Combustion Air Prove Switch S18

Prove switch S18 is a SPST N.O. switch located to the right of the induced draft assembly. S18 monitors combustion air inducer operation. Switch S18 is wired to the ignition control A3. The switch closes on a *negative* pressure fall. This negative pressure fall and switch actuation allows the ignition sequence to continue (proves, by closing, that the combustion air inducer is operating before allowing the gas valve to open.) The combustion air prove switch is factory-set and is not adjustable. The switch will automatically open on a pressure rise (less negative pressure). Table 3 shows prove switch settings.

TABLE 3
S18 Prove Switch Settings

Close“ w.c. (Pa)	Open “ w.c. (Pa)
0.25 ± 5 (62.3 ± 12.4)	0.10 ± 5 (24.8 ± 12.4)

6-Combustion Air Inducer B6

Combustion air inducers on KGA/KGB092/150 units provide air to the corresponding burners while clearing the combustion chamber of exhaust gases. The inducer begins operating immediately upon receiving a thermostat demand and is de-energized when thermostat demand is satisfied.

The inducer uses a 208/230V single-phase PSC motor and a 4.81in. x 1.25in. (122mm x 32mm) blower wheel. All motors operate at 3200RPM and are equipped with auto-reset overload protection. Inducers are supplied by various manufacturers. Ratings may vary by manufacturer. Specific inducer electrical ratings can be found on the unit rating plate.

On a heating demand (W1), the ignition control A3 initiates the heating cycle. A3 then allows 30 seconds for the combustion air inducer to vent exhaust gases from the burners. When the combustion air inducer is purging the exhaust gases, the combustion air prove switch closes, proving that the combustion air inducer is operating before allowing the ignition sequence to continue. When the combustion air prove switch is closed and the delay is over, the ignition control activates the first-stage operator of the gas valve (low fire), the spark and the flame sensing electrode. Sparking stops immediately after flame is sensed or at the end of the eight-second trial for ignition.

All combustion air inducer motors are sealed and cannot be oiled. The inducer is not adjustable; but, it can be disassembled for cleaning.

7-Combustion Air Motor Capacitor C3

The combustion air inducer motors in all KGA/KGB units require run capacitors. Capacitor C3 is connected to combustion air inducer B6. Ratings will be on the side of capacitor or combustion air motor nameplate.

8-Gas Valves GV1

Gas valve GV1 is a two-stage redundant valve. Units are equipped with valves manufactured by White-Rodgers or Honeywell. On a call for first-stage heat (low fire), the valve is energized by the ignition control simultaneously with the spark electrode. On a call for second-stage heat (high fire), the second-stage operator is energized directly from A3. A manual shut-off knob is provided on the valve for shutoff. The manual shut-off knob immediately closes both stages without delay. On both valves, the first stage (low fire) is quick-opening (on and off in less than 3 seconds).

On the White-Rodgers valve, the second stage is slow-opening (on to high fire pressure in 40 seconds and off to low fire pressure in 30 seconds). The White-Rodgers valve is adjustable for high fire only. Low fire is not adjustable. On the Honeywell valve, the second stage is quick-opening. The

Honeywell valve is adjustable for both low fire and high fire. Figures 21 and 22 show gas valve components. Table 4 shows factory gas valve regulation for KGA/KGB series units.

TABLE 4

GAS VALVE REGULATION				
Max. Inlet Pressure	Operating Manifold Pressure			
	Natural		L.P.	
13.0" W.C.	Low	High	Low	High
		1.6 ± 0.2" W.C.	3.7 ± 0.3" W.C.	6.5" ± 0.3" W.C.

9-Spark Electrode Figure 17

An electrode assembly is used for ignition spark. The electrode is inserted through holes under the left-most burner. The electrode tip protrudes into the flame envelope of the adjacent burner. The electrode assembly is fastened to burner supports and can be removed for service without removing any part of the burners.

During ignition, spark travels through the spark electrode (figure 17) and ignites the left burner. Flame travels from burner to burner until all are lit.

The spark electrode is connected to the ignition control by an 8 mm silicone-insulated, stranded, high-voltage wire. The wire uses a 1/4" (6.35 mm) female quick connect on both ends of the wire.

NOTE - If the electrode wire is replaced, wire and suppression must be same type of cable. See repair parts listing for correct replacement.

The spark electrode assembly can be removed for inspection by removing the screw securing the electrode assembly and sliding it out of unit.

For proper unit operation, electrodes must be positioned and gapped correctly.

Spark gap may be checked with appropriately sized twist drills or feeler gauges. Disconnect power to the unit and remove electrode assembly. The gap should be between 0.125" ± 0.015" (3.2 mm ± .4 mm). See figure 17.

NOTE - IN ORDER TO MAXIMIZE SPARK ENERGY TO ELECTRODE, HIGH-VOLTAGE WIRE SHOULD TOUCH UNIT CABINET AS LITTLE AS POSSIBLE.

10-Flame Sensor Figure 18

A flame sensor is located under the right-most burner. The sensor is inserted through a hole in the burner support and the tip protrudes into the flame envelope of the right-most burner. The sensor assembly is fastened to burner supports and can be removed for service without removing any part of the burners.

When flame is sensed by the flame sensor (indicated by microamp signal through the flame) sparking stops immediately or after the eight-second trial for ignition. During operation, flame is sensed by current passed along the ground electrode (located on the spark electrode), through the flame, and into the sensing electrode. The ignition control allows the gas valve to stay open as long as a flame signal (current passed through the flame) is sensed.

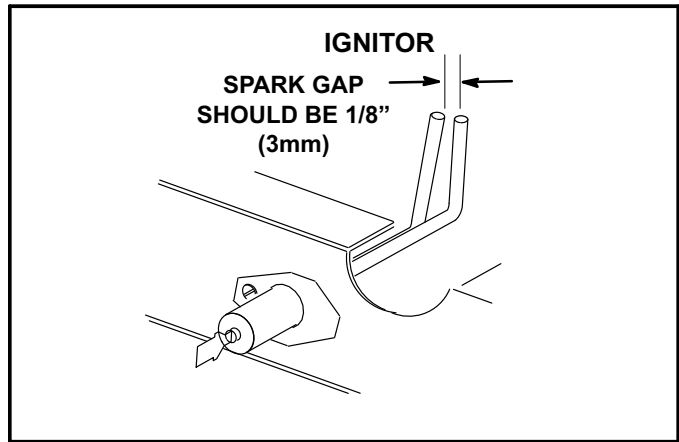


FIGURE 17

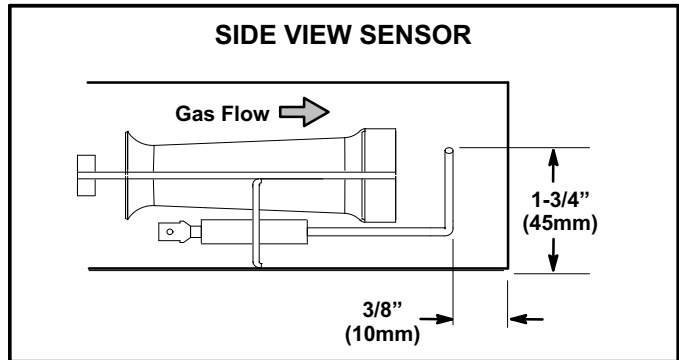


FIGURE 18

INTEGRATED CONTROL BOARD A3

11-Burner Control A3

⚠ WARNING	
	Shock hazard. Spark related components contain high voltage which can cause personal injury or death. Disconnect power before servicing. Control is not field repairable. Unsafe operation will result. If control is inoperable, simply replace the entire control.

The burner control A3 is located in the gas heat section. See figures 20 and 19.

The ignition control provides four main functions: gas valve control, blower control, ignition and flame sensing. The control has a green LED to show control status (table 5). The unit will usually ignite on the first trial and A3 allows three trials for ignition before locking out. The lockout time is 1 hour. After lockout, the ignition control automatically resets and provides three more attempts at ignition. Manual reset after lockout requires removing power from the control for more than 1 second or removing the thermostat call for heat for more than 1 second but no more than 20 seconds. 24 volt thermostat connections (P2) and heating component connections (J1) are made through separate jackplugs. See table 6 for thermostat terminations and table 7 for heating component terminations.

TABLE 5

LED	STATUS
Slow Flash	Normal operation. No call for heat.
Fast Flash	Normal operation. Call for heat.
Steady Off	Internal Control Fault, No Power To Board or Gas Valve Relay Fault
Steady On	Control Internal Failure.
2 Flashes	Lockout. Failed to detect or sustain flame.
3 Flashes	Rollout switch open / Prove switch open or closed.
4 Flashes	Primary High Limit switch open.
5 Flashes	Flame sensed but gas valve not open.
6 Flashes	On Board Microprocessors Disagree

TABLE 6

P2 TERMINAL DESIGNATIONS	
Pin #	Function
1	R 24 Volts to thermostat
2	W1 Heat Demand
3	Y Cool Demand
4	C Common
5	G Indoor Blower
6	BL OUT Indoor Blower Relay
7	W2 Second Stage Heat

TABLE 7

J1 TERMINAL DESIGNATIONS	
Pin #	Function
1	Limit Switch Out
2	Rollout Switch / Prove Switch Out
3	Gas Valve Common
4	Gas Valve Out
5	Rollout Switch / Prove Switch In
6	Limit Switch In

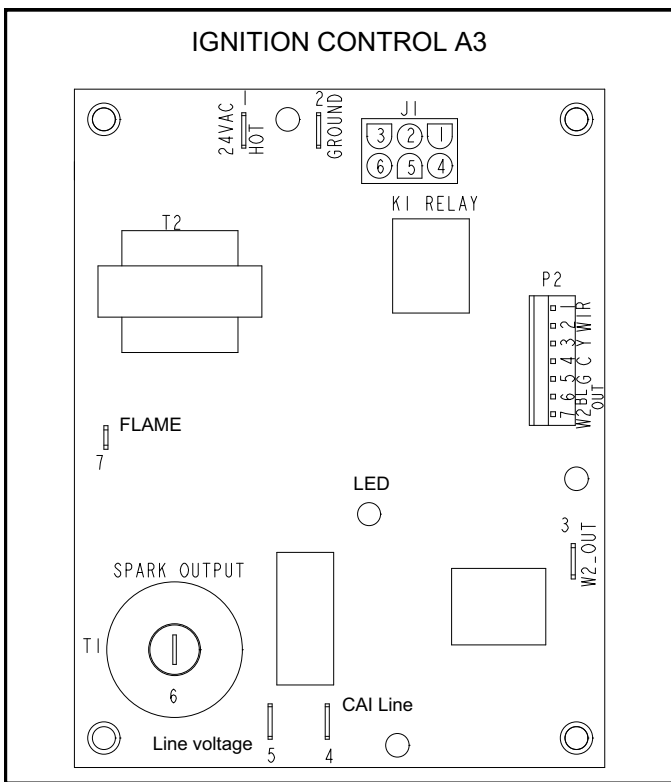


FIGURE 19

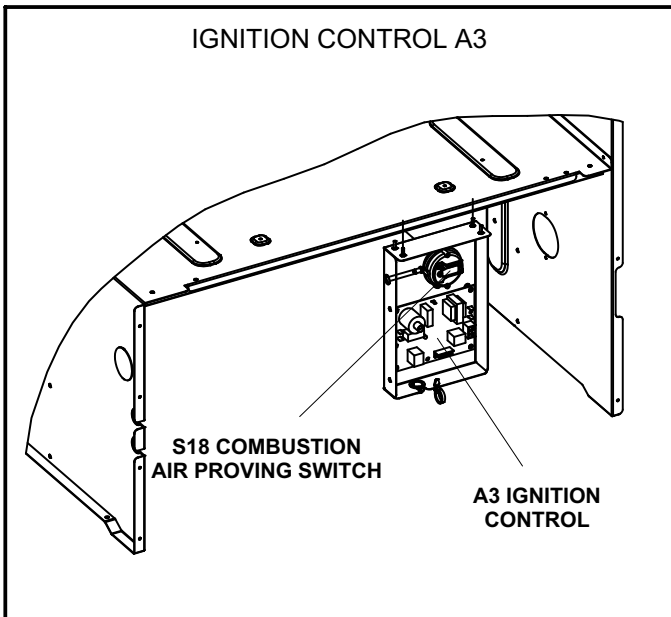


FIGURE 20

Flame rectification sensing is used on all KGA/KGB units. Loss of flame during a heating cycle is indicated by an absence of flame signal (0 microamps). If this happens, the control will immediately restart the ignition sequence and then lock out if ignition is not gained after the third trial. See System Service Checks section for flame current measurement.

The control shuts off gas flow immediately in the event of a power failure. Upon restoration of gas and power, the control will restart the ignition sequence and continue until flame is established or system locks out.

Operation

On a heating demand, the ignition control checks for a closed limit switch and open combustion air prove switch. Once this check is complete and conditions are correct, the ignition control then allows 30 seconds for the combustion air inducer to vent exhaust gases from the burners. When the combustion air inducer is purging the exhaust gases, the combustion air prove switch closes proving that the combustion air inducer is operating before allowing the ignition control to energize. When the combustion air prove switch is closed and the delay is over, the ignition control activates the gas valve, the spark electrode and the flame sensing electrode. Once the gas valve is energized, the non-adjustable 40-second indoor blower delay period begins. Sparking stops immediately after flame is sensed or at the end of the 8-second trial for ignition.

The control then proceeds to “steady state” mode where all inputs are monitored to ensure the limit switch, rollout switch and prove switch are closed as well as flame is present. When the heat call is satisfied and the gas valve is de-energized, a combustion air inducer post purge period of 5 seconds begins along with a 120-second blower off delay.

II-PLACEMENT AND INSTALLATION

Make sure the unit is installed in accordance with the installation instructions and all applicable codes. See accessories section for conditions requiring use of the optional roof curbs.


III-STARTUP - OPERATION


A-Preliminary and Seasonal Checks

- 1- Make sure the unit is installed in accordance with the installation instructions and applicable codes.
- 2- Inspect all electrical wiring (both field- and factory-installed) for loose connections. Tighten as required. Refer to unit diagram located on inside of unit compressor access panel.
- 3- Check to ensure that refrigerant lines are in good condition and do not rub against the cabinet or other refrigerant lines.
- 4- Check voltage at the disconnect switch. Voltage must be within the range listed on the nameplate. If not, consult the power company and have the voltage corrected before starting the unit.
- 5- Recheck voltage and amp draw with unit running. If voltage is not within range listed on unit nameplate, stop unit and consult power company. Refer to unit nameplate for maximum rated load amps.
- 6- Inspect and adjust blower belt (see section on Blower Compartment - Blower Belt Adjustment).

B-Heating Startup

FOR YOUR SAFETY READ BEFORE LIGHTING

⚠ WARNING	
	Electric shock hazard. Can cause injury or death. Do not use this unit if any part has been under water. Immediately call a qualified service technician to inspect the unit and to replace any part of the control system and any gas control which has been under water.

⚠ WARNING	
	Danger of explosion. Can cause injury or product or property damage. If overheating occurs or if gas supply fails to shut off, shut off the manual gas valve to the appliance before shutting off electrical supply.

⚠ WARNING	
	Electric shock hazard. Can cause injury or death. Before attempting to perform any service or maintenance, turn the electrical power to unit OFF at disconnect switch(es). Unit may have multiple power supplies.

⚠ WARNING	
SMOKE POTENTIAL	
The heat exchanger in this unit could be a source of smoke on initial firing. Take precautions with respect to building occupants and property. Vent initial supply air outside when possible.	

BEFORE LIGHTING smell all around the appliance area for gas. Be sure to smell next to the floor because some gas is heavier than air and will settle on the floor.

Use only your hand to push in or turn the gas control knob. Never use tools. If the knob will not push in or turn by hand, do not try to repair it, call a qualified service technician. Force or attempted repair may result in a fire or explosion.

⚠ WARNING	
	Danger of explosion. Can cause injury or death. Do not attempt to light manually. Unit has a direct spark ignition system.

This unit is equipped with an automatic spark ignition system. There is no pilot. In case of a safety shutdown, move thermostat switch to **OFF** and return the thermostat switch to **HEAT** to reset ignition control.

Placing Unit In Operation

⚠ WARNING	
	Danger of explosion and fire. Can cause injury or product or property damage. You must follow these instructions exactly.

Gas Valve Operation for White Rodgers 36C (figure 21) and Honeywell VR8205Q/VR8305Q (figure 22)

- 1- Set thermostat to lowest setting.
- 2- Turn off all electrical power to appliance.

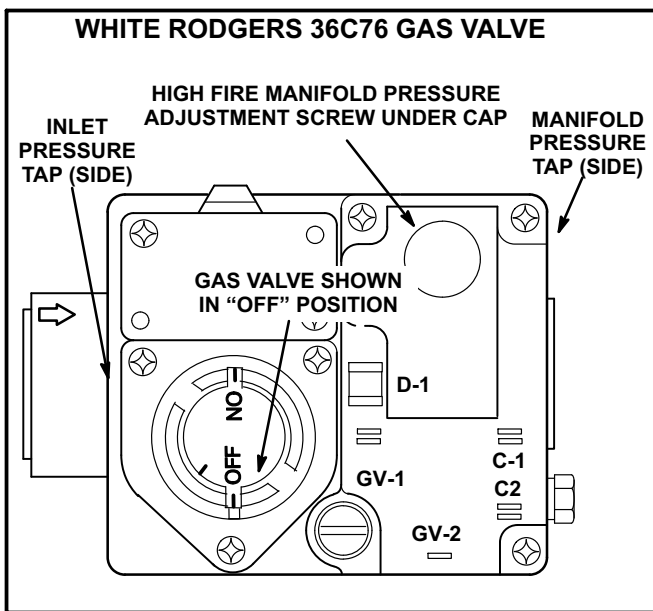


FIGURE 21

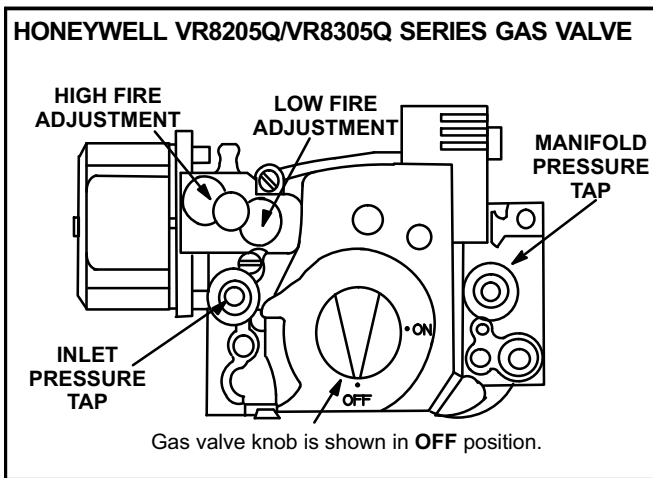





FIGURE 22

- 3- This appliance is equipped with an ignition device which automatically lights the burner. Do **not** try to light the burner by hand.
- 4- Open or remove the heat section access panel.
- 5- Turn the knob on the gas valve clockwise  to "OFF". Push in 36C knob slightly. Do not force.
- 6- Wait five (5) minutes to clear out any gas. If you then smell gas, **STOP!** Immediately call your gas supplier from a neighbor's phone. Follow the gas supplier's instructions. If you do not smell gas, go to the next step.
- 7- Turn the knob on the gas valve counterclockwise  to "ON". Do not force.
- 8- Close or replace the heat section access panel.
- 9- Turn on all electrical power to appliance.
- 10- Set thermostat to desired setting.

- 11- The combustion air inducer will start. The burners will light within 40 seconds.
- 12- If the appliance does not light the first time (gas line not fully purged), it will attempt up to two more ignitions before locking out.
- 13- If lockout occurs, repeat steps 1 through 10.
- 14- If the appliance will not operate, follow the instructions "Turning Off Gas to Appliance" and call your service technician or gas supplier.

Turning Off Gas to Unit

- 1- If using an electromechanical thermostat, set to the lowest setting.
- 2- Before performing any service, turn off all electrical power to the appliance.
- 3- Open or remove the heat section access panel.
- 4- Turn the knob on the gas valve clockwise  to "OFF". Push in 36C knob slightly. Do not force.
- 5- Close or replace the heat section access panel.

C-Cooling Startup

Supply Air Inverter Units - Refer to the Inverter Start-Up section.

- 1- Initiate first and second stage cooling demands according to instructions provided with thermostat.
- 2- *No Economizer Installed in Unit -*

092, 102, 120 Units

A first-stage cooling demand (Y1) will energize compressor 1 and both condenser fans. An increased cooling demand (Y2) will energize compressor 2.

150 Units

A first-stage cooling demand (Y1) will energize compressor 1 and condenser fan 1. An increased cooling demand (Y2) will energize compressor 2 and condenser fan 2.

Units Equipped With Economizer -

When outdoor air is acceptable, a first-stage cooling demand (Y1) will energize the economizer. An increased cooling demand (Y2) will energize compressor 1 and both condenser fans. When outdoor air is not acceptable unit will operate as though no economizer is installed.

- 3- Units contain two refrigerant circuits or stages. See figure 23 or 24.
- 4- Each refrigerant circuit is separately charged with R-410A refrigerant. See unit rating plate for correct amount of charge.

NOTE - Refer to IV-CHARGING for proper method to check refrigerant charge.

Three-Phase Scroll Compressor Voltage Phasing

Three-phase power supplied to the unit disconnect switch must be phased sequentially to ensure the scroll compressor and indoor blower rotate in the correct direction. Compressor and blower are wired in phase at the factory. Power wires are color-coded as follows: line 1-red, line 2-yellow, line 3-blue.

- 1- Observe suction and discharge pressures and blower rotation on unit start-up.
- 2- Suction pressure must drop, discharge pressure must rise and blower rotation must match rotation marking.

If pressure differential is not observed or blower rotation is not correct:

- 3- Disconnect all remote electrical power supplies.
- 4- Reverse any two field-installed wires connected to the line side of K2 contactor or disconnect switch if installed. Do not reverse wires at blower contactor.

- 5- Make sure the connections are tight.

Discharge and suction pressures should operate at their normal start-up ranges.

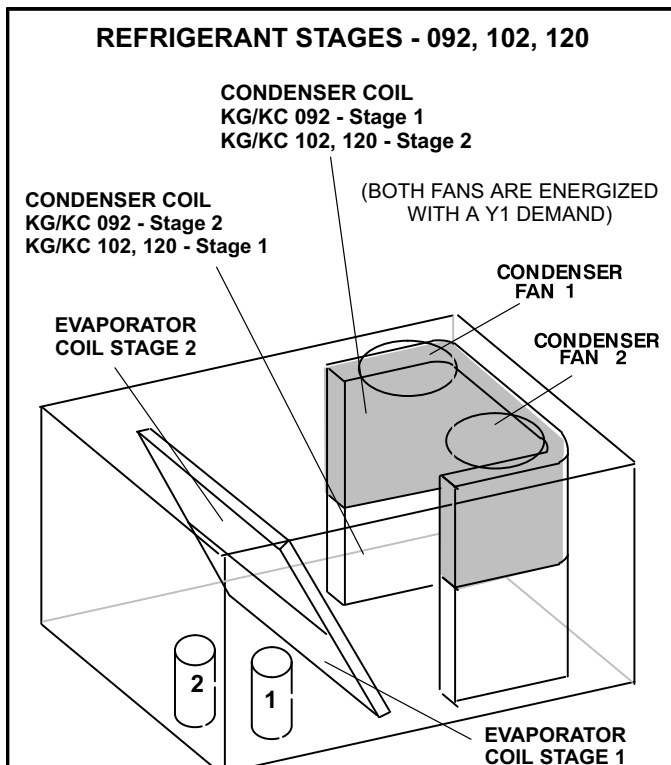


FIGURE 23

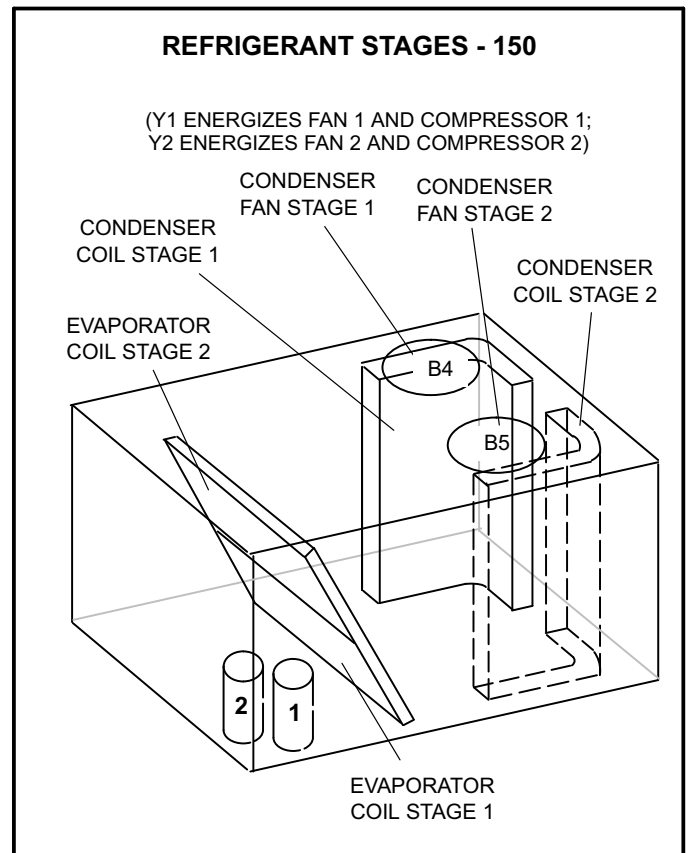


FIGURE 24

D-Safety or Emergency Shutdown

Turn off power to unit. Close manual and main ga valves.

IV-CHARGING

A - Refrigerant Charge and Check - All-Aluminum Coil

⚠ WARNING

Refrigerant can be harmful if it is inhaled. Refrigerant must be used and recovered responsibly. Failure to follow this warning may result in personal injury or death.

⚠ IMPORTANT

Units equipped with a Hot Gas Reheat system **MUST** be charged in standard cooling mode.

WARNING-Do not exceed nameplate charge under any condition.

This unit is factory charged and should require no further adjustment. If the system requires additional refrigerant, re-claim the charge, evacuate the system, and add required nameplate charge.

NOTE - System charging is not recommended below 60°F (15°C). In temperatures below 60°F (15°C), the charge must be weighed into the system.

If weighing facilities are not available, or to check the charge, use the following procedure:

IMPORTANT - Charge unit in standard cooling mode.

- 1- Make sure outdoor coil is clean. Attach gauge manifolds and operate unit at full CFM in cooling mode with econo-

mizer disabled until system stabilizes (approximately five minutes). Make sure all outdoor air dampers are closed.

- 2- Check each system separately with all stages operating. Compare the normal operating pressures (see tables 9 - 15) to the pressures obtained from the gauges. Check unit components if there are significant differences.
- 3- Measure the outdoor ambient temperature and the suction pressure. Refer to the appropriate circuit charging curve to determine a target liquid temperature.

Note - Pressures are listed for sea level applications.

- 4- Use the same thermometer to accurately measure the liquid temperature (in the outdoor section).
 - If measured liquid temperature is higher than the target liquid temperature, add refrigerant to the system.
 - If measured liquid temperature is lower than the target liquid temperature, recover some refrigerant from the system.
- 5- Add or remove charge in increments. Allow the system to stabilize each time refrigerant is added or removed.
- 6- Continue the process until measured liquid temperature agrees with the target liquid temperature. Do not go below the target liquid temperature when adjusting charge. Note that suction pressure can change as charge is adjusted.
- 7- Example KG/KC 092S Circuit 1: At 95°F outdoor ambient and a measured suction pressure of 130psig, the

target liquid temperature is 101°F. For a measured liquid temperature of 112°F, add charge in increments until measured liquid temperature agrees with the target liquid temperature.

Charge Verification - Approach Method - AHRI Testing

- 1- Using the same thermometer, compare liquid temperature (at condenser outlet) to outdoor ambient temperature.

Approach Temperature = Liquid temperature minus ambient temperature.

- 2- Approach temperature should match values shown in table 8. An approach temperature greater than this value indicates an undercharge. An approach temperature less than this value indicates an overcharge.
- 3- The approach method is not valid for grossly overcharged or undercharged systems. Use tables 9 through 15 as a guide for typical operating pressures.

**TABLE 8
APPROACH TEMPERATURE**

KGA Unit	Liquid Temp. Minus Ambient Temp.	
	1st Stage	2nd Stage
092	9°F ± 1 (5.0°C ± 0.5)	8°F ± 1 (4.4°C ± 0.5)
102	7°F ± 1 (3.9°C ± 0.5)	6°F ± 1 (3.3°C ± 0.5)
120	8°F ± 1 (4.4°C ± 0.5)	6°F ± 1 (3.3°C ± 0.5)

TABLE 9

KGB092S Normal Operating Pressures

	Outdoor Coil Entering Air Temperature											
	65 °F		75 °F		85 °F		95 °F		105 °F		115 °F	
	Suct (psig)	Disc (psig)	Suct (psig)	Disc (psig)	Suct (psig)	Disc (psig)	Suct (psig)	Disc (psig)	Suct (psig)	Disc (psig)	Suct (psig)	Disc (psig)
Circuit 1	104	244	108	282	111	324	113	370	114	420	117	474
	110	248	114	286	118	328	121	375	123	425	125	479
	123	258	127	296	131	339	135	385	140	436	141	491
	135	280	139	310	145	352	150	400	155	452	158	507
Circuit 2	108	244	111	282	114	323	117	367	120	417	123	470
	114	250	118	287	121	328	125	373	128	422	131	476
	127	264	131	301	135	341	139	386	144	437	148	489
	144	290	147	321	152	363	156	410	161	460	166	514

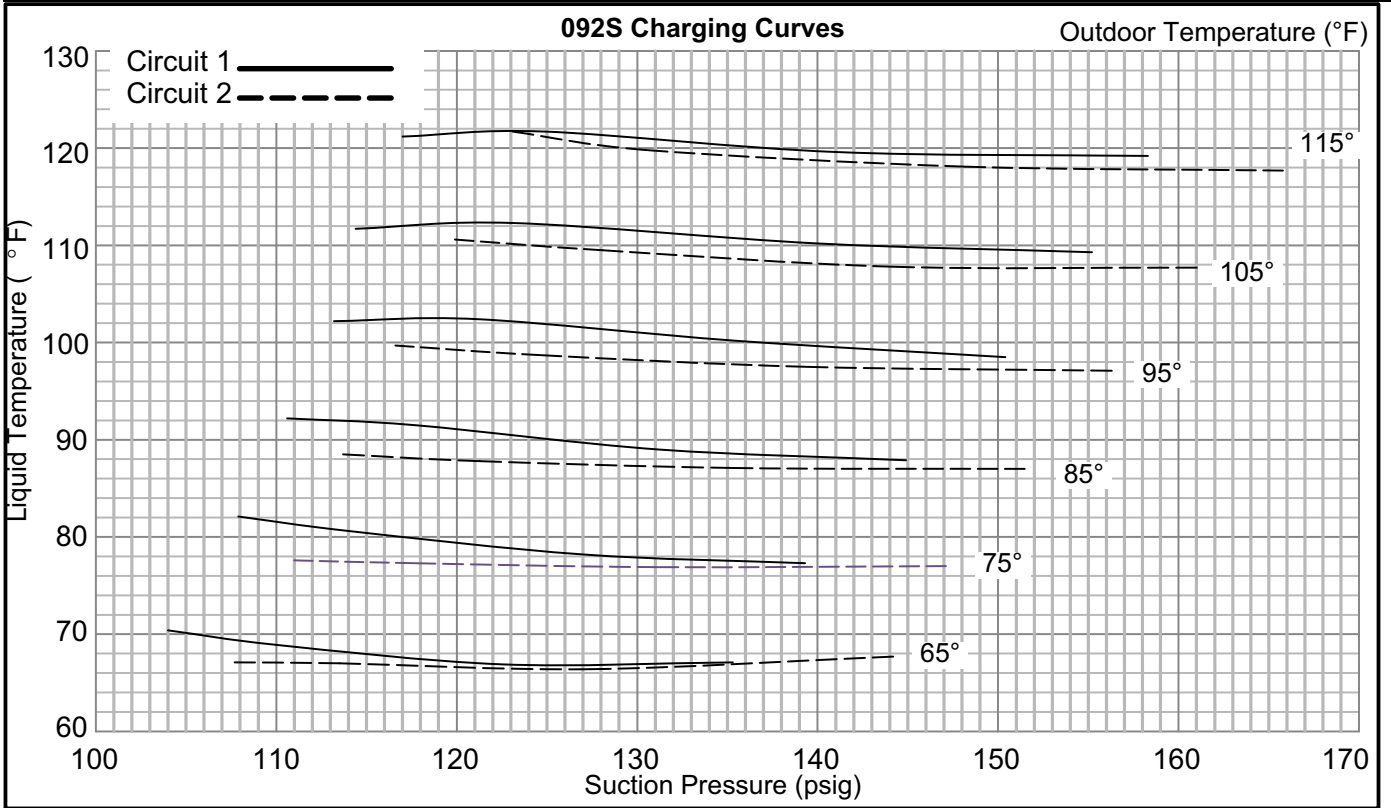


TABLE 10

KGB102S Normal Operating Pressures

	Outdoor Coil Entering Air Temperature											
	65 °F		75 °F		85 °F		95 °F		105 °F		115 °F	
	Suct (psig)	Disc (psig)	Suct (psig)	Disc (psig)	Suct (psig)	Disc (psig)	Suct (psig)	Disc (psig)	Suct (psig)	Disc (psig)	Suct (psig)	Disc (psig)
Circuit 1	111	252	114	289	117	332	119	378	122	428	125	483
	118	256	122	295	125	337	128	383	131	434	133	489
	132	269	136	307	141	350	145	396	149	447	151	502
	148	285	152	322	157	367	161	413	166	465	170	518
Circuit 2	111	249	114	288	117	331	119	377	121	428	124	482
	118	254	122	295	125	336	128	383	129	433	130	483
	132	271	136	308	141	350	145	397	148	447	147	500
	149	291	152	325	157	371	162	417	166	468	168	520

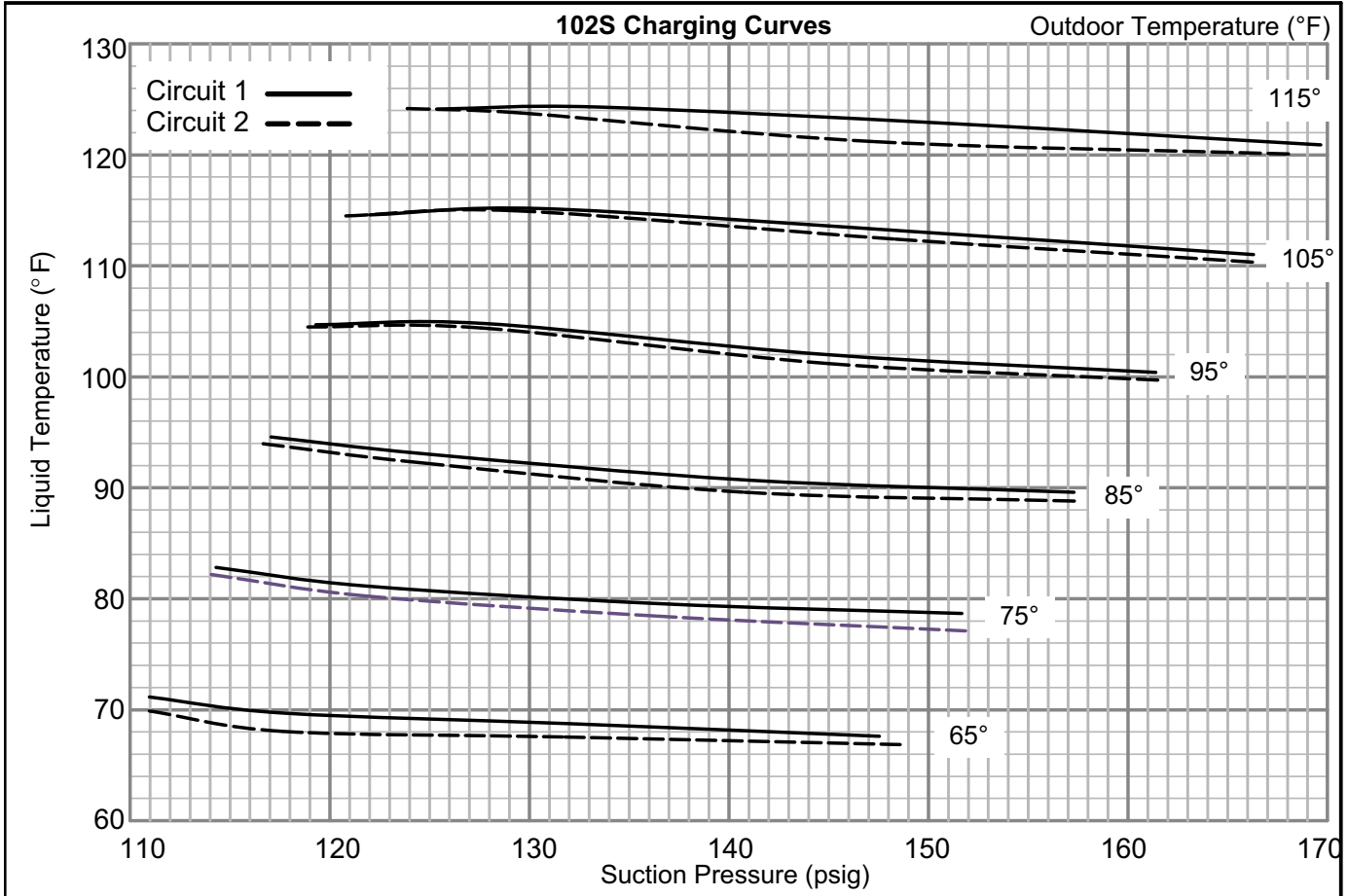


TABLE 11

KGB120S Normal Operating Pressures

	Outdoor Coil Entering Air Temperature											
	65 °F		75 °F		85 °F		95 °F		105 °F		115 °F	
	Suct (psig)	Disc (psig)	Suct (psig)	Disc (psig)	Suct (psig)	Disc (psig)	Suct (psig)	Disc (psig)	Suct (psig)	Disc (psig)	Suct (psig)	Disc (psig)
Circuit 1	111	261	114	301	117	343	120	389	122	437	125	489
	118	266	121	304	124	349	127	393	131	444	132	496
	134	286	138	324	142	366	146	411	149	463	152	518
	152	315	155	348	160	390	164	438	169	492	173	547
Circuit 2	111	255	113	293	116	333	118	378	121	427	124	481
	118	264	121	299	124	341	126	385	130	434	132	488
	134	288	138	324	141	364	144	407	148	458	151	513
	152	319	155	352	159	393	164	437	168	488	172	545

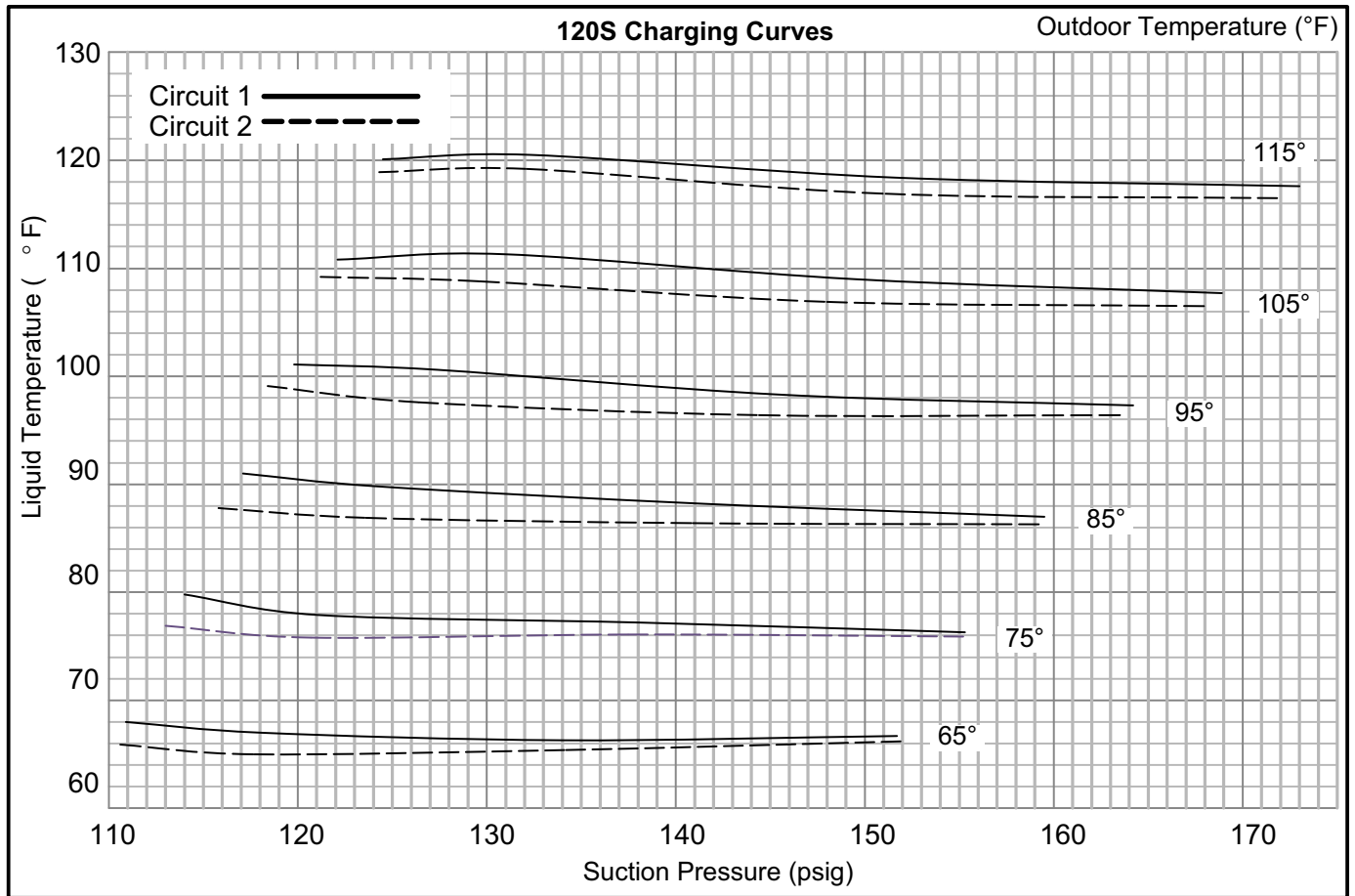


TABLE 12

KGA120S Normal Operating Pressures

	Outdoor Coil Entering Air Temperature											
	65 °F		75 °F		85 °F		95 °F		105 °F		115 °F	
	Suct (psig)	Disc (psig)	Suct (psig)	Disc (psig)	Suct (psig)	Disc (psig)	Suct (psig)	Disc (psig)	Suct (psig)	Disc (psig)	Suct (psig)	Disc (psig)
Circuit 1	108	263	110	303	109	345	118	399	121	452	124	509
	115	269	119	308	123	352	125	398	128	454	132	516
	130	290	135	328	139	369	143	420	147	474	150	537
	148	319	151	354	155	398	160	440	166	508	170	567
Circuit 2	108	258	109	298	107	340	117	394	120	447	123	506
	116	265	119	305	122	350	124	394	127	450	130	512
	132	289	135	326	139	366	143	417	146	473	149	539
	149	319	152	354	156	397	160	437	165	505	170	566

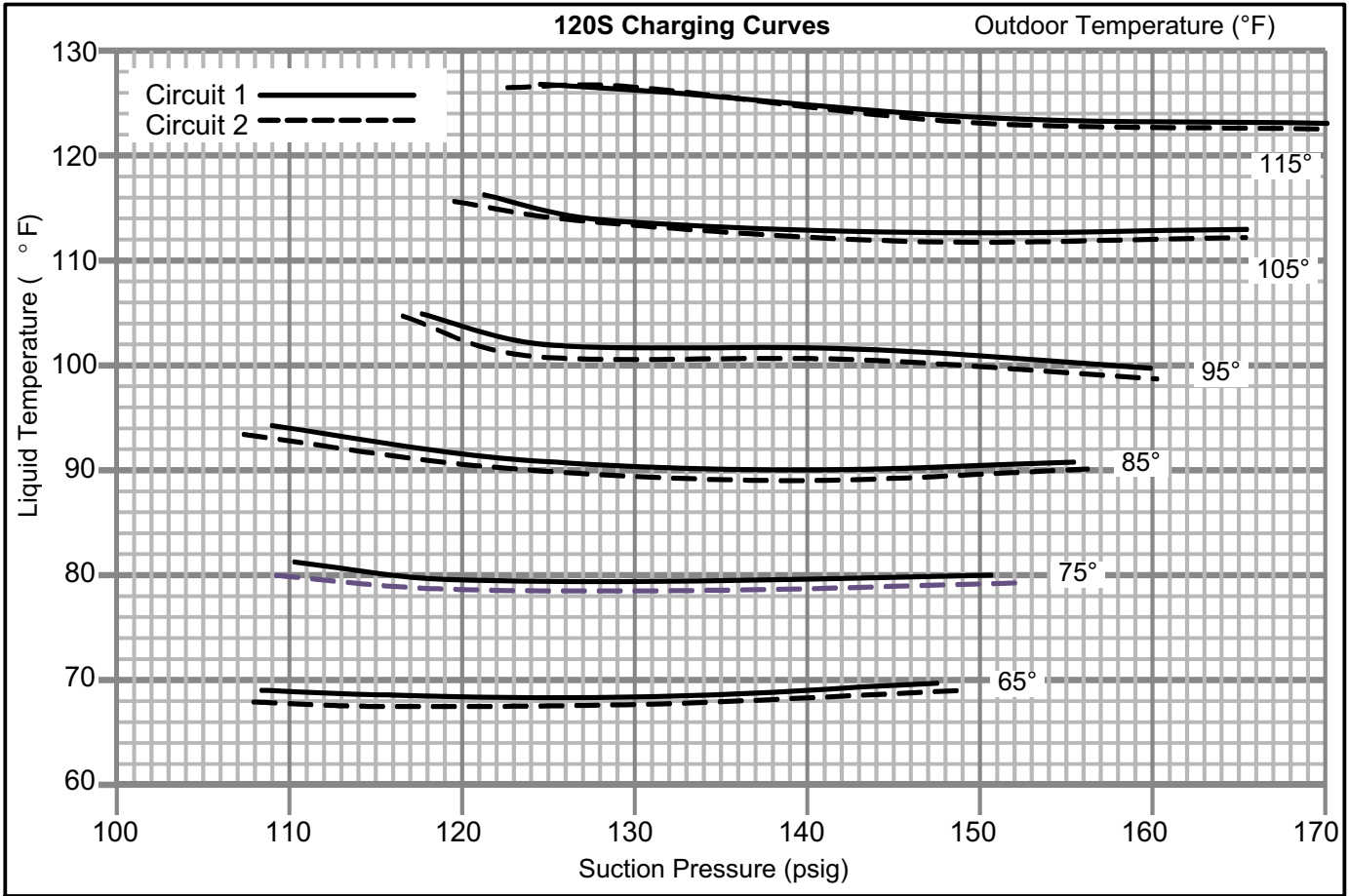


TABLE 13

KGA092H Normal Operating Pressures

	Outdoor Coil Entering Air Temperature											
	65 °F		75 °F		85 °F		95 °F		105 °F		115 °F	
	Suct (psig)	Disc (psig)	Suct (psig)	Disc (psig)	Suct (psig)	Disc (psig)	Suct (psig)	Disc (psig)	Suct (psig)	Disc (psig)	Suct (psig)	Disc (psig)
Circuit 1	110	234	112	273	115	317	116	367	119	428	121	503
	118	236	120	275	123	319	125	369	127	426	130	497
	136	240	139	278	142	320	145	369	147	422	150	483
	157	248	159	284	163	325	166	373	168	424	171	482
Circuit 2	112	232	115	269	117	313	118	371	120	441	122	523
	119	237	122	273	125	316	128	367	129	431	132	508
	134	243	139	279	143	320	146	370	149	424	151	488
	155	253	156	287	161	328	165	376	169	427	172	487

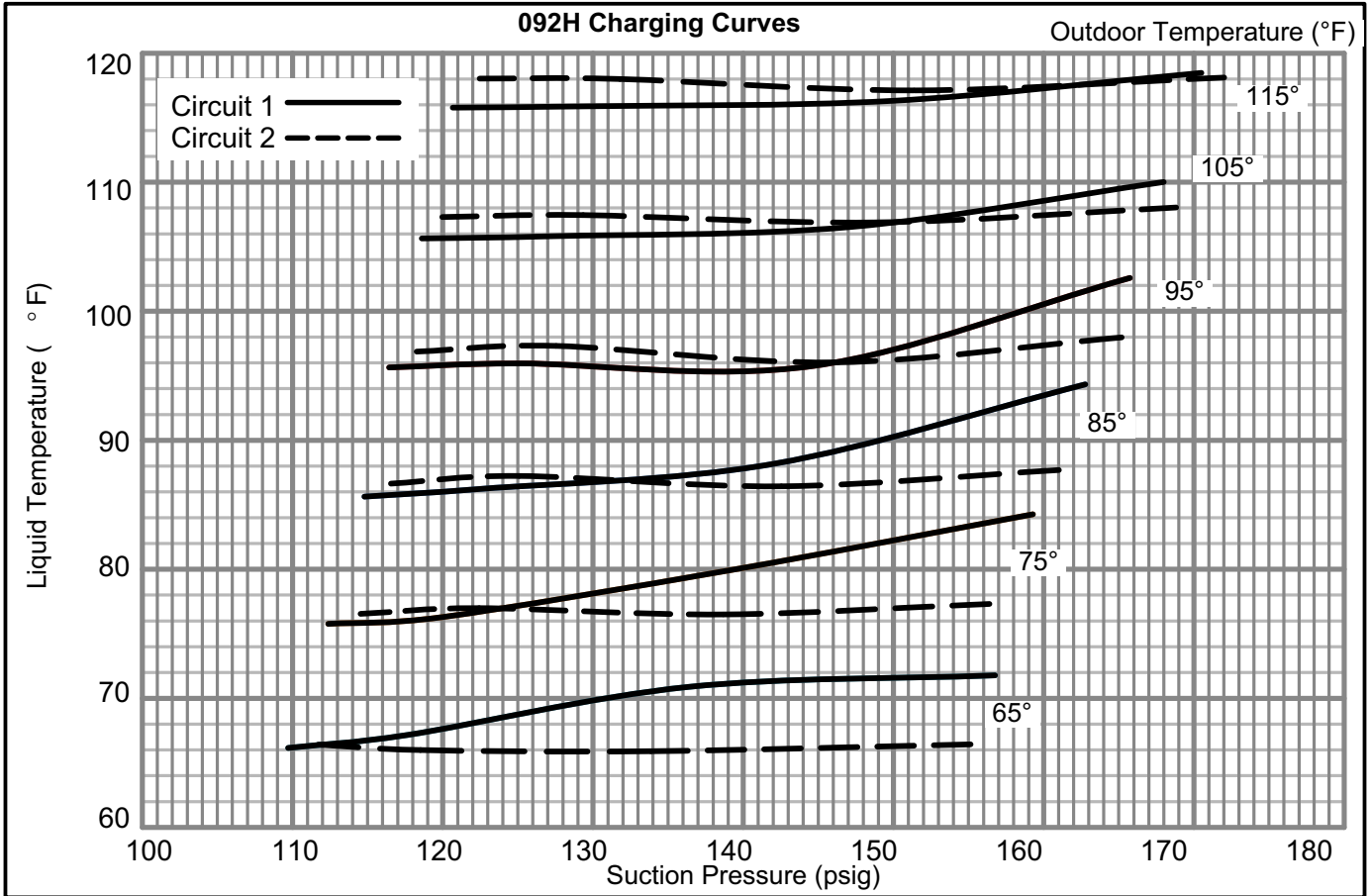


TABLE 14

KGA102H Normal Operating Pressures

		Outdoor Coil Entering Air Temperature											
		65 °F		75 °F		85 °F		95 °F		105 °F		115 °F	
		Suct (psig)	Disc (psig)	Suct (psig)	Disc (psig)	Suct (psig)	Disc (psig)	Suct (psig)	Disc (psig)	Suct (psig)	Disc (psig)	Suct (psig)	Disc (psig)
Circuit 1		111	234	113	273	115	316	117	365	119	419	121	480
		120	236	121	275	124	317	126	365	128	417	130	476
		139	241	142	279	144	321	147	367	148	420	151	476
		156	251	160	287	164	328	168	374	171	424	175	480
Circuit 2		113	233	116	273	118	317	120	371	122	439	125	530
		122	233	124	273	126	317	128	369	131	428	134	502
		137	242	142	278	145	320	148	369	150	426	153	489
		155	251	159	288	164	328	168	375	171	429	174	488

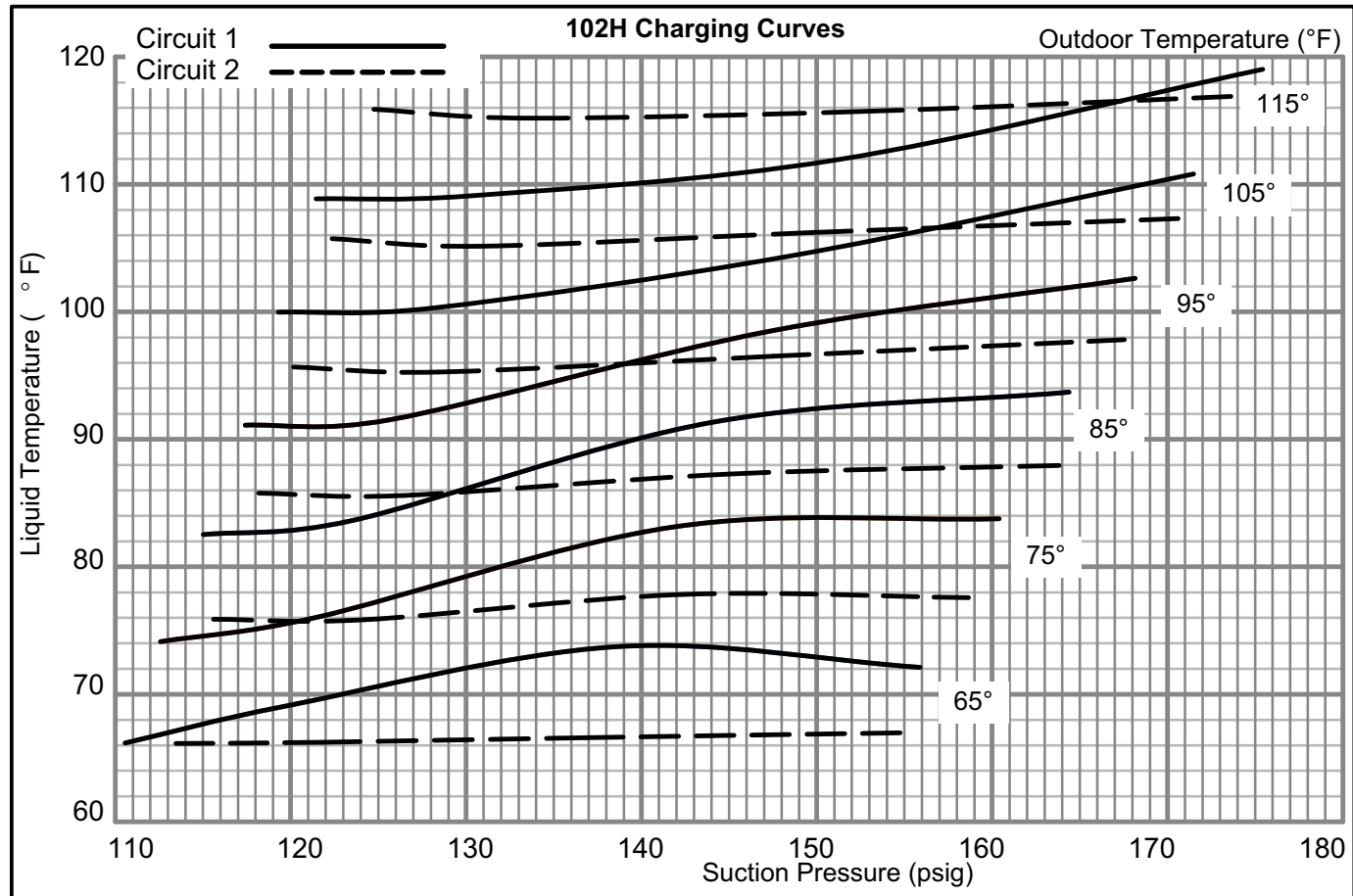
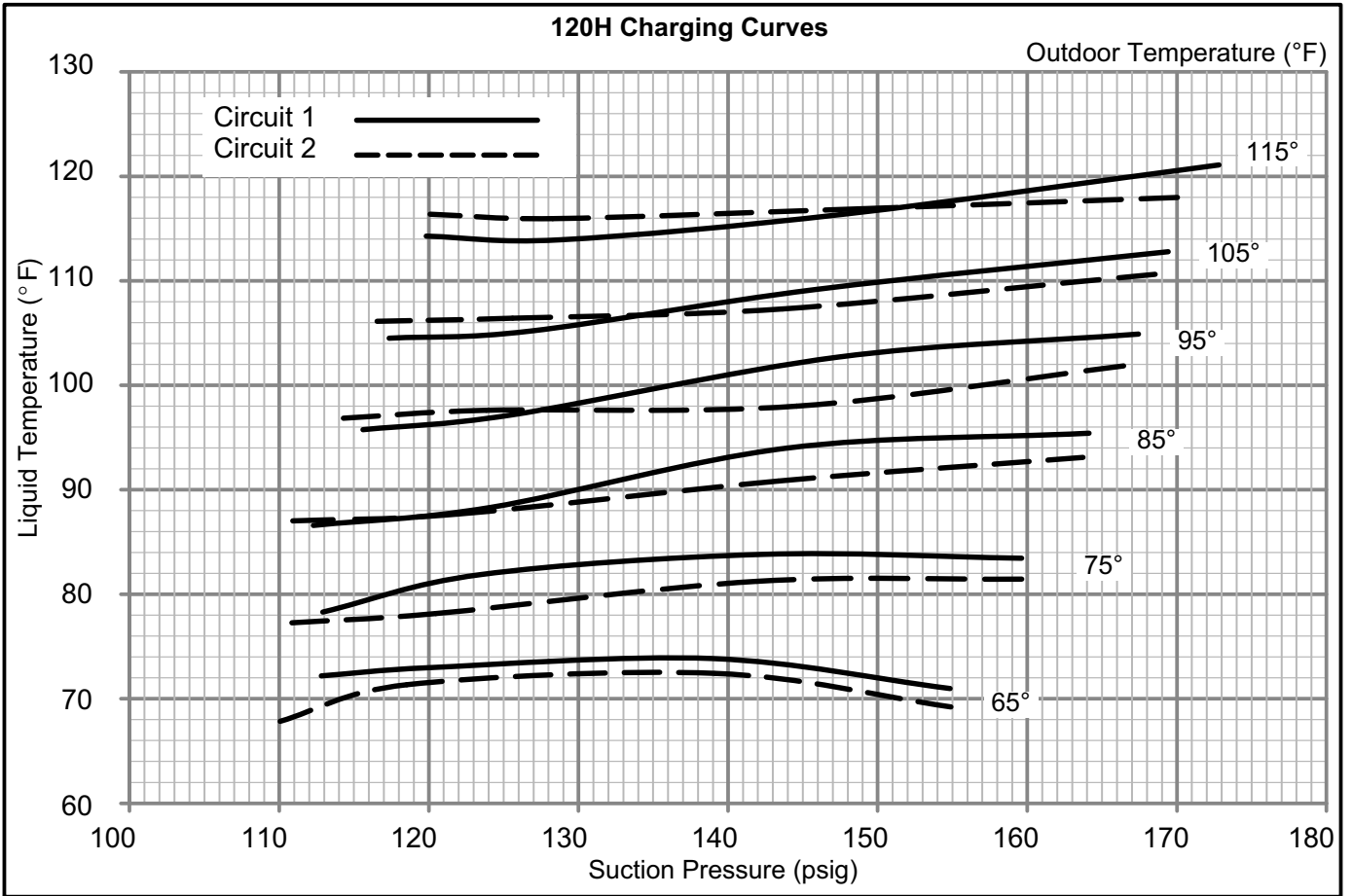


TABLE 15

KGA120H Normal Operating Pressures

	Outdoor Coil Entering Air Temperature											
	65 °F		75 °F		85 °F		95 °F		105 °F		115 °F	
	Suct (psig)	Disc (psig)	Suct (psig)	Disc (psig)	Suct (psig)	Disc (psig)	Suct (psig)	Disc (psig)	Suct (psig)	Disc (psig)	Suct (psig)	Disc (psig)
Circuit 1	113	251	113	290	112	331	116	383	117	439	120	520
	120	254	123	293	124	338	126	388	127	441	129	510
	139	264	142	303	144	345	147	393	146	445	148	510
	155	278	160	314	164	357	167	403	169	456	173	512
Circuit 2	110	251	111	287	111	329	114	388	117	454	120	538
	119	249	120	291	122	336	124	389	126	447	128	520
	139	259	142	297	143	337	145	390	144	444	149	514
	155	274	160	307	164	349	166	393	169	448	170	510



B-Refrigerant Charge and Check - Fin/Tube Coil & TXV

KGB 092S, 102S, 120S, 150S

WARNING-Do not exceed nameplate charge under any condition.

This unit is factory charged and should require no further adjustment. If the system requires additional refrigerant, re-claim the charge, evacuate the system, and add required nameplate charge.

*NOTE - System charging is not recommended below 60°F (15°C). In temperatures below 60°F (15°C), the charge **must** be weighed into the system.*

If weighing facilities are not available, or to check the charge, use the following procedure:

IMPORTANT - Charge unit in standard cooling mode.

- 1- Attach gauge manifolds and operate unit in cooling mode with economizer disabled until system stabilizes (approximately five minutes). Make sure outdoor air dampers are closed.
- 2- Check each system separately with all stages operating.
- 3- Use a thermometer to accurately measure the outdoor ambient temperature.
- 4- Apply the outdoor temperature to tables 16 through 19 to determine normal operating pressures. Pressures are listed for sea level applications at 80°F dry bulb and 67°F wet bulb return air.
- 5- Compare the normal operating pressures to the pressures obtained from the gauges. Minor variations in these pressures may be expected due to differences in installations. Significant differences could mean that the system is not properly charged or that a problem exists with some component in the system. **Correct any system problems before proceeding.**
- 6- If discharge pressure is high, remove refrigerant from the system. If discharge pressure is low, add refrigerant to the system.
 - Add or remove charge in increments.
 - Allow the system to stabilize each time refrigerant is added or removed.
- 7- Use the following approach method along with the normal operating pressures to confirm readings.

TABLE 16
KGB092S Fin/Tube - W & W/O Reheat

Outdoor Coil Entering Air Temp	CIRCUIT 1		CIRCUIT 2	
	Dis-charge ±10 psig	Suction ±5 psig	Dis-charge ±10 psig	Suction ±5 psig
65°F	256	119	263	127
75°F	294	124	302	131
85°F	338	129	346	135
95°F	385	132	393	138
105°F	434	136	444	141
115°F	487	139	499	145

TABLE 17
KGB102S Fin/Tube - W & W/O Reheat

Outdoor Coil Entering Air Temp	CIRCUIT 1		CIRCUIT 2	
	Dis-charge ±10 psig	Suction ±5 psig	Dis-charge ±10 psig	Suction ±5 psig
65°F	263	127	268	128
75°F	301	132	306	132
85°F	341	137	347	136
95°F	391	141	397	140
105°F	441	144	448	144
115°F	493	147	503	146

TABLE 18
KGB120S Fin/Tube - W & W/O Reheat

Outdoor Coil Entering Air Temp	CIRCUIT 1		CIRCUIT 2	
	Dis-charge ±10 psig	Suction ±5 psig	Dis-charge ±10 psig	Suction ±5 psig
65°F	258	127	259	128
75°F	301	131	304	133
85°F	344	135	349	137
95°F	391	139	393	139
105°F	440	143	446	144
115°F	494	144	500	146

TABLE 19
KGB150S Fin/Tube - TXV

Outdoor Coil Entering Air Temp	CIRCUIT 1		CIRCUIT 2	
	Dis-charge ±10 psig	Suction ±5 psig	Dis-charge ±10 psig	Suction ±5 psig
65°F	276	131	275	125
75°F	317	133	314	128
85°F	357	136	363	131
95°F	399	139	408	136
105°F	450	142	457	140
115°F	502	145	509	142

Charge Verification - Approach Method - AHRI Testing (Fin/Tube Coil Continued)

- Using the same thermometer, compare liquid temperature to outdoor ambient temperature.

Approach Temperature = Liquid temperature (at condenser outlet) minus ambient temperature.

- Approach temperature should match values in table 20. An approach temperature greater than value shown indicates an undercharge. An approach temperature less than value shown indicates an overcharge.
- The approach method is not valid for grossly over or undercharged systems. Use table 19 as a guide for typical operating pressures.

**TABLE 20
APPROACH TEMPERATURE - Fin/Tube - TXV**

Unit	Liquid Temp. Minus Ambient Temp.	
	1st Stage	2nd Stage
092S	6°F ± 1 (3.3°C ± 0.5)	6°F ± 1 (3.3°C ± 0.5)
102S	5°F ± 1 (2.8°C ± 0.5)	8°F ± 1 (4.4°C ± 0.5)
120S	7°F ± 1 (3.9°C ± 0.5)	8°F ± 1 (4.4°C ± 0.5)
150S	4°F ± 1 (2.2°C ± 0.5)	6°F ± 1 (3.3°C ± 0.5)

V- SYSTEMS SERVICE CHECKS

A-Heating System Service Checks

All KGA/KGB units are ETL/CSA design certified without modification.

Before checking piping, check with gas company or authorities having jurisdiction for local code requirements. Refer to the KGA/KGB Installation instruction for more information.

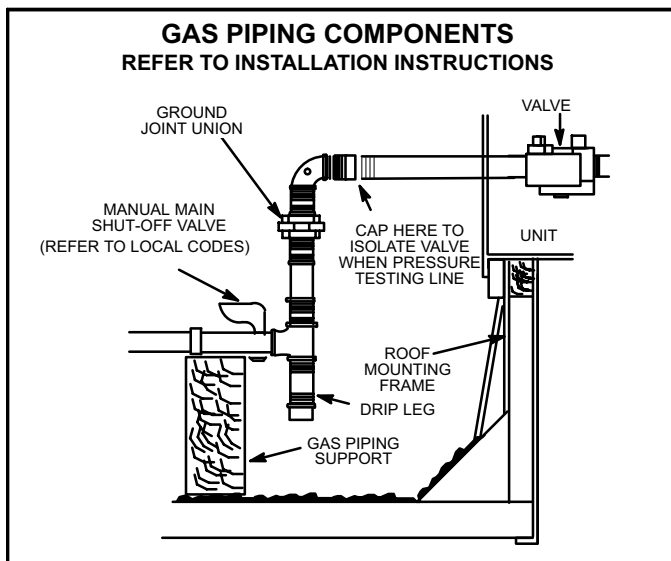


FIGURE 25

1-Gas Piping

Gas supply piping must not allow more than 0.5"W.C. (124.3 Pa) drop in pressure between the gas meter and the unit. Supply gas pipe must not be smaller than the unit gas connection. Refer to installation instructions for details.

2-Testing Gas Piping

NOTE-In case emergency shutdown is required, turn off the main manual shut-off valve and disconnect the main power to the unit. These controls should be properly labeled by the installer.

When pressure testing gas lines, the gas valve must be disconnected and isolated. **Gas valves can be damaged if subjected to more than 0.5 psig [14"W.C. (3481 Pa)].** See figure 25.

When checking piping connection for gas leaks, use the preferred means. Common kitchen detergents can cause harmful corrosion on various metals used in gas piping. The use of specialty Gas Leak Detector is strongly recommended. It is available as part number 31B2001. See CORP 8411-L10, for further details.

Do not use matches, candles, flame or any other source of ignition to check for gas leaks.

3-Testing Gas Supply Pressure

When testing gas supply pressure, connect test gauge to the inlet pressure tap located on unit gas valve GV1. Test supply gas pressure with unit firing at maximum rate (both stages energized). Make sure the reading falls within the range of the following values. Low pressure may result in erratic operation or "underfire." High pressure can result in permanent damage to the gas valve or "overfire." For natural gas units, operating pressure at the unit gas connection must be between 4.7"W.C. and 10.5"W.C. (1168 Pa and 2610 Pa). For L.P. gas units, operating pressure at the unit gas connection must be between 10.8"W.C. and 13.5"W.C. (2685.3 Pa and 3356.7 Pa).

On multiple unit installations, each unit should be checked separately while operating at maximum rate, beginning with the one closest to the supply gas main and progressing to the one furthest from the main. Multiple units should also be tested with and without the other units operating. Supply pressure must fall within the range listed in the previous paragraph.

4-Check and Adjust Manifold Pressure

After line pressure has been checked and adjusted, check manifold pressure. Move test gauge to the outlet pressure tap located on unit gas valve GV1. See figure 21 for location of pressure tap on the gas valve.

The manifold pressure is factory set and should not require adjustment. See table 4. If manifold pressure is incorrect and no other source of improper manifold pressure can be found, the valve must be replaced. See figure 21 or 22 for location of gas valve (manifold pressure) adjustment screw.

All gas valves are factory-regulated. The gas valve should completely and immediately cycle off in the event of gas or power failure. The manual shut-off knob can be used to immediately shut off gas supply.

⚠ CAUTION

For safety, connect a shut-off valve between the manometer and the gas tap to permit shut off of gas pressure to the manometer.

Manifold Adjustment Procedure

- 1- Connect test gauge to the outlet pressure tap on the gas valve. Start the unit (call for second-stage heat) and allow five minutes for the unit to reach steady state.
- 2- While waiting for the unit to stabilize, notice the flame. The flame should be stable without flashback and should not lift from the burner heads. Natural gas should burn basically blue with some clear streaks. L.P. gas should burn mostly blue with some clear yellow streaks.
- 3- After allowing the unit to stabilize for five minutes, record the manifold pressure and compare to the values given in table 4.

5-High Altitude

Units may be installed at altitudes up to 2000 feet (610 m) above sea level without any modification. See table of contents for "High Altitude Derate" section for altitudes above 2000 feet (610 m).

6-Proper Gas Flow

Furnace should operate at least 5 minutes before checking gas flow. Determine time in seconds for two revolutions of gas through the meter. (Two revolutions assures a more accurate time.) Divide by two and compare to time in table 21. Seconds in table 21 are based on a 1 cu.ft. dial and gas valve of 1000 btu's for natural and 2500 btu's for LP. Adjust manifold pressure on gas valve to match time needed.

NOTE - To obtain accurate reading, shut off all other gas appliances connected to meter.

TABLE 21

Unit in Btu's	Seconds for Natural	Seconds for Propane
84,500	43	106
117,000	31	77
130,000	28	69
156,000	23	58
180,000	20	50
240,000	15	37

7-Heat Exchanger

To Access or Remove Heat Exchanger From Unit:

- 1- Turn off gas and electric power.
- 2- Remove access panel(s) and unit center mullion.
- 3- Remove gas valve, manifold assembly and burners.
- 4- Remove combustion air inducer and flue box cover. Pay careful attention to the order in which gaskets and orifice are removed.
- 5- Support heat exchanger (to prevent it from falling when final screws are removed.)
- 6- Remove screws supporting heat exchanger.
- 7- To install heat exchanger, reverse procedure. Be sure to secure all wires and check plumbing and burner plate for airtight seal. Screws must be torqued to 35 in.-lbs. to ensure proper operation.

8-Flame Sensing

Flame current is an electrical current which passes from the ignition control through the sensor electrode during unit operation. The current passes from the sensor through the flame to the ground electrode (located on the flame electrode) to complete a safety circuit. The electrodes should be located so the tips are at least 1/2" (12.7 mm) inside the flame envelope. Do not bend electrodes. To measure flame current, follow the procedure on the following page:

NOTE - Electrodes are not field-adjustable. Any alterations to the electrode may create a hazardous condition that can cause property or personal injury.

- 1- Disconnect power to unit.
- 2- Remove lead from sensing electrode and install a 0-50DC microamp meter in series between the sensing electrode and the sensing lead.
- 3- Reconnect power and adjust thermostat for heating demand.
- 4- When flame is established, microamp reading should be 0.5 to 1.0. Do not bend electrodes.
Dropout signal is .09 or less.
- 5- Disconnect power to unit before disconnecting meter. Make sure sensor wire is securely reconnected before reconnecting power to unit.

NOTE-If the meter scale reads 0, the leads are reversed. Disconnect power and reconnect leads for proper polarity.

B-Cooling System Service Checks

KGA/KGB units are factory-charged and require no further adjustment; however, charge should be checked periodically using the approach method. The approach method compares actual liquid temperature with the outdoor ambient temperature. See section IV- CHARGING.

NOTE - When unit is properly charged, discharge line pressures should approximate those in tables 9 through 19.

VI-MAINTENANCE

The unit should be inspected once a year by a qualified service technician.

⚠ WARNING	
	Electric shock hazard. Can cause injury or death. Before attempting to perform any service or maintenance, turn the electrical power to unit OFF at disconnect switch(es). Unit may have multiple power supplies.

⚠ CAUTION	
Label all wires prior to disconnection when servicing controls. Wiring errors can cause improper and dangerous operation. Verify proper operation after servicing.	

⚠ IMPORTANT	
The Clean Air Act of 1990 bans the intentional venting of refrigerant (CFC's and HCFC's) as of July 1, 1992. Approved methods of recovery, recycling or reclaiming must be followed. Fines and/or incarceration may be levied for non-compliance.	

A-Filters

Units are equipped with four 20 X 25 X 2" filters. Filters should be checked and replaced when necessary with filters of like kind and size. Take note of air flow direction marking on filter frame when reinstalling filters. See figure 26. *Filters must be U.L.C. certified or equivalent for use in Canada.*

B-Lubrication

All motors are lubricated at the factory. No further lubrication is required.

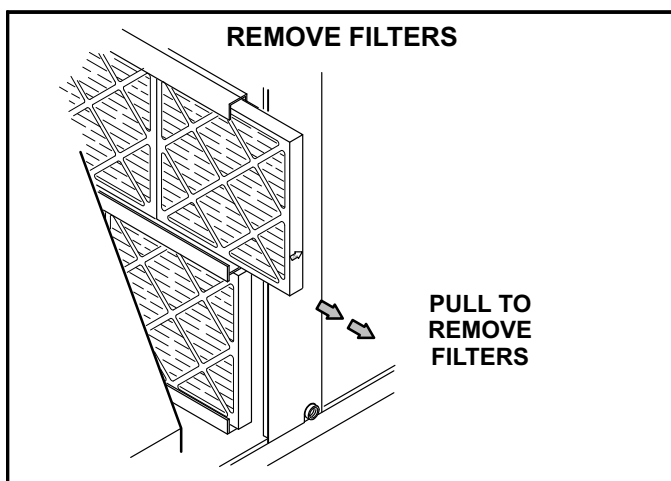


FIGURE 26

C-Evaporator Coil


Inspect and clean coil at beginning of each cooling season. Clean using mild detergent or commercial coil cleanser. Flush coil and condensate drain with water taking care not to get insulation, filters and return air ducts wet.

D-Burners

Periodically examine burner flames for proper appearance during the heating season. Before each heating season, examine the burners for any deposits or blockage which may have occurred.

Clean burners as follows:

- 1- Turn off both electrical power and gas supply to unit.
- 2- Remove burner compartment access panel.
- 3- Remove two screws securing burners to burner support and lift the burners from the orifices. See figure 15. Clean as necessary.
- 4- Locate the ignitor under the left burners. Check ignitor spark gap with appropriately sized twist drills or feeler gauges. See figure 17.
- 5- Replace burners and screws securing gas manifold.

⚠ WARNING	
	Danger of explosion. Can cause injury or death. Do not overtighten main burner mounting screws. Snug tighten only.

- 7- Replace access panel.
- 8- Restore electrical power and gas supply. Follow lighting instructions attached to unit and use inspection port in access panel to check flame.

E-Combustion Air Inducer

A combustion air proving switch checks combustion air inducer operation before allowing heating sequence to continue. The sequence will not be allowed to continue if inducer is obstructed.

The combustion air inducer wheel should be checked and cleaned prior to the heating season. It should be examined periodically during the heating season to establish an ideal cleaning schedule. With power supply disconnected, the condition of the inducer wheel can be determined by removing the vent pipe and inspecting the wheel through the outlet opening.

Clean combustion air inducer as follows:

- 1- Shut off power supply and gas to unit.
- 2- Disconnect pressure switch air tubing from combustion air inducer port.
- 3- Remove and retain screws securing combustion air inducer to flue box. Remove and retain two screws from bracket supporting vent connector. See figure 14.
- 4- Clean inducer wheel blades with a small brush and wipe off any dust from housing. Clean accumulated dust from front of flue box cover.
- 5- Return combustion air inducer motor and vent connector to original location and secure with retained screws. It is recommended that the combustion air inducer gasket be replaced during reassembly.
- 6- Clean combustion air inlet louvers on heat access panel using a small brush.

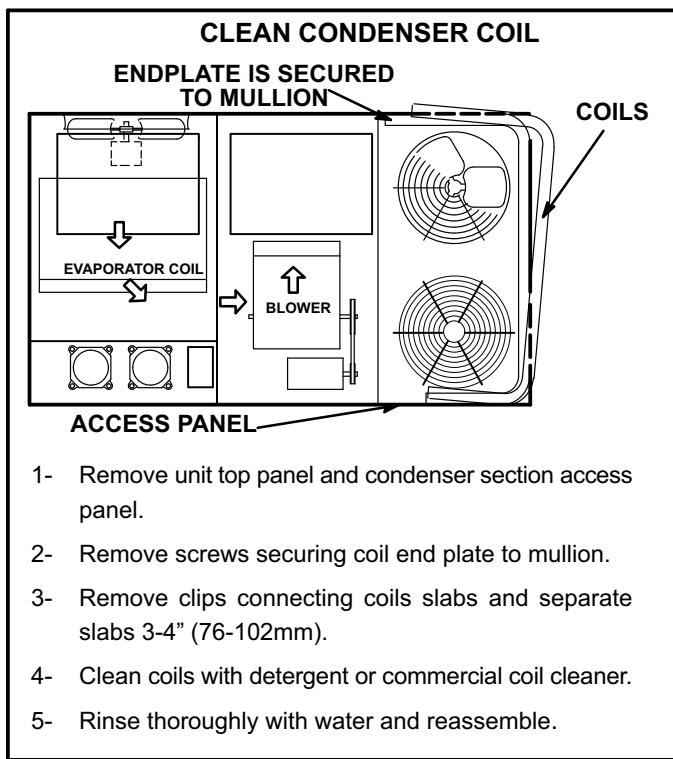


FIGURE 27

F-Flue Passageway and Flue Box

- 1- Remove combustion air inducer assembly as described in section D.
- 2- Remove flue box cover. Clean with a wire brush as required.
- 3- Clean tubes with a wire brush.
- 4- Reassemble the unit. The flue box cover gasket and combustion air inducer gasket should also be replaced during reassembly.

G-Condenser Coil

Clean condenser coil annually with detergent or commercial coil cleaner and inspect monthly during the cooling season. Condenser coils are made of one, two and three formed slabs. Dirt and debris may become trapped between the slabs. To clean between slabs, carefully separate coil slabs and wash them thoroughly. See figure 27. Flush coils with water following cleaning.

NOTE - Remove all screws and gaskets prior to cleaning procedure and replace upon completion.

H-Supply Blower Wheel

Annually inspect supply air blower wheel for accumulated dirt or dust. Turn off power before attempting to remove access panel or to clean blower wheel.

VII-ACCESSORIES

The accessories section describes the application of most of the optional accessories which can be factory- or field-installed in or on the KGA/KGB units. OPTIONAL ACCESSORIES section (see table of contents) shows specific sizes per unit.

A-LP / Propane Kit

KGA/KGB092/150 units require a natural to LP /propane kit. The kit includes one LP spring conversion kit, up to eleven burner orifices and three stickers. For more detail refer to the natural to LP gas changeover kit installation instructions.

B-Drain Pan Overflow Switch S149 (optional)

The overflow switch is used to interrupt cooling operation when excessive condensate collects in the drain pan. The N.O. overflow switch is controlled by K220 and DL46 relays, located in the unit control panel. When the overflow switch closes, 24VAC power is interrupted and after a five-second delay unit compressors are de-energized. Once the condensate level drops below the set level, the switch will open. After a five-minute delay the compressor will be energized.

C-C1CURB Mounting Frames

When installing units on a combustible surface for downflow discharge applications, the C1CURB roof mounting frame is used. The roof mounting frames are recommended in all other applications but not required. If the KGA/KGB units are not installed on a flat (roof) surface, they MUST be supported under all edges and under the middle of the unit to prevent sagging. The units MUST be installed level within 1/16" per linear foot or 5mm per meter in any direction.

The assembled C1CURB mounting frame is shown in figure 28. Refer to the roof mounting frame installation instructions for details of proper assembly and installation. The roof mounting frame MUST be squared to the roof and level before installation. Plenum system MUST be installed before the unit is set on the mounting frame. Typical roof curbing and flashing is shown in figure 29. Refer to the roof mounting frame installation instructions for proper plenum construction and attachment.

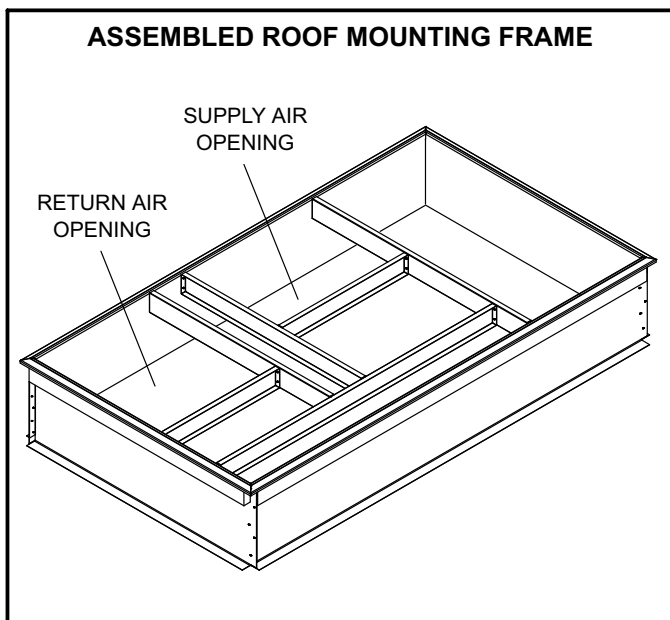


FIGURE 28

D-Transitions

Optional supply/return transition C1DIFF30B-1, C1DIFF31B-1 and C1DIFF32B-1 are available for use with the KGA/KGB 7.5 through 12.5 ton units, utilizing optional C1CURB roof mounting frames. Transition must be installed in the C1CURB mounting frame before setting the unit on the frame. Refer to the manufacturer's instructions included with the transition for detailed installation procedures.

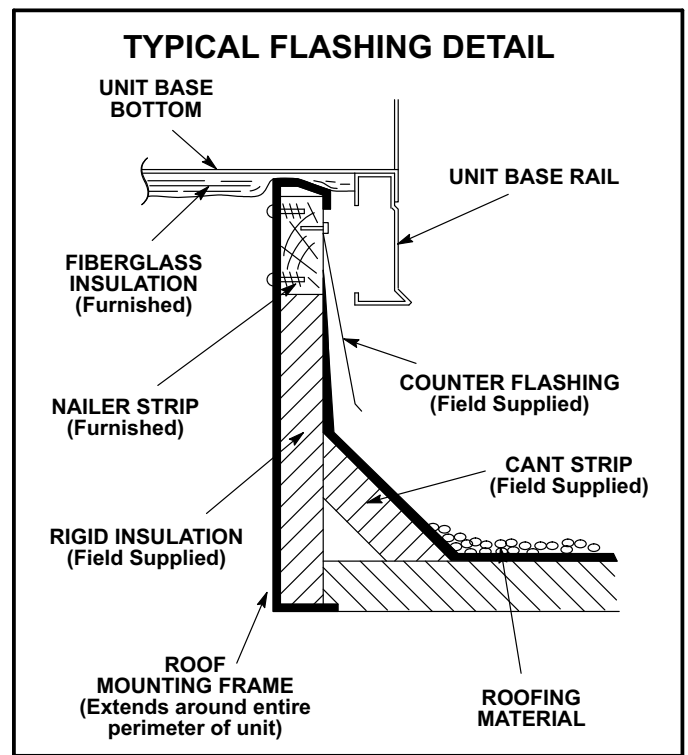


FIGURE 29

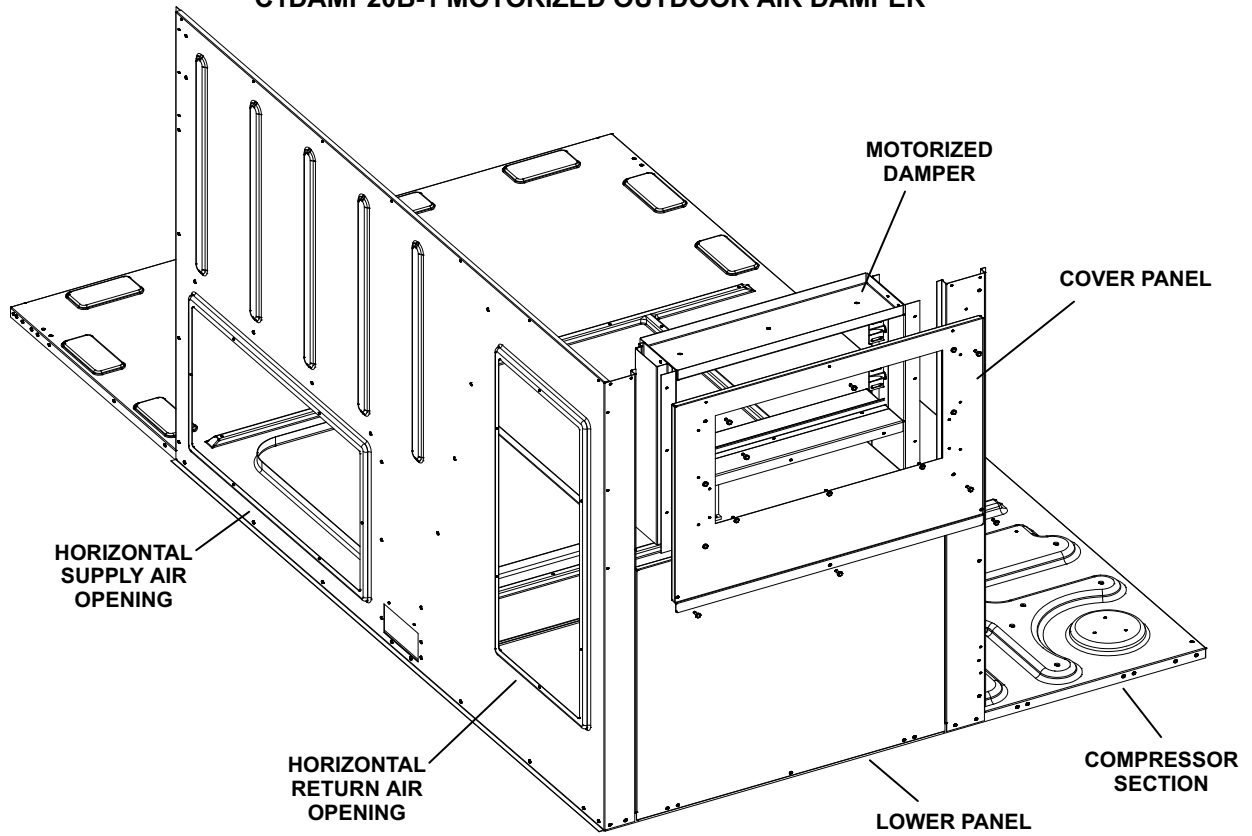
E-Supply and Return Diffusers

Optional flush-mount diffuser/return FD11 and extended mount diffuser/return RTD11 are available for use with all KGA/KGB units. Refer to manufacturer's instructions included with transition for detailed installation procedures.

F-Outdoor Air Dampers C1DAMP20B-1 and C1DAMP10B-1

Optional manual and motorized outdoor air dampers (figure 30) provide up to 25 percent fresh air for return. Motorized damper opens to minimum position simultaneously with the blower during the occupied period and remains closed during the unoccupied period. Manual damper assembly is manually operated; damper position is manually set at installation and remains in that position.

C1DAMP20B-1 MOTORIZED OUTDOOR AIR DAMPER



C1 DAMP10B-1 MANUAL OUTDOOR AIR DAMPER

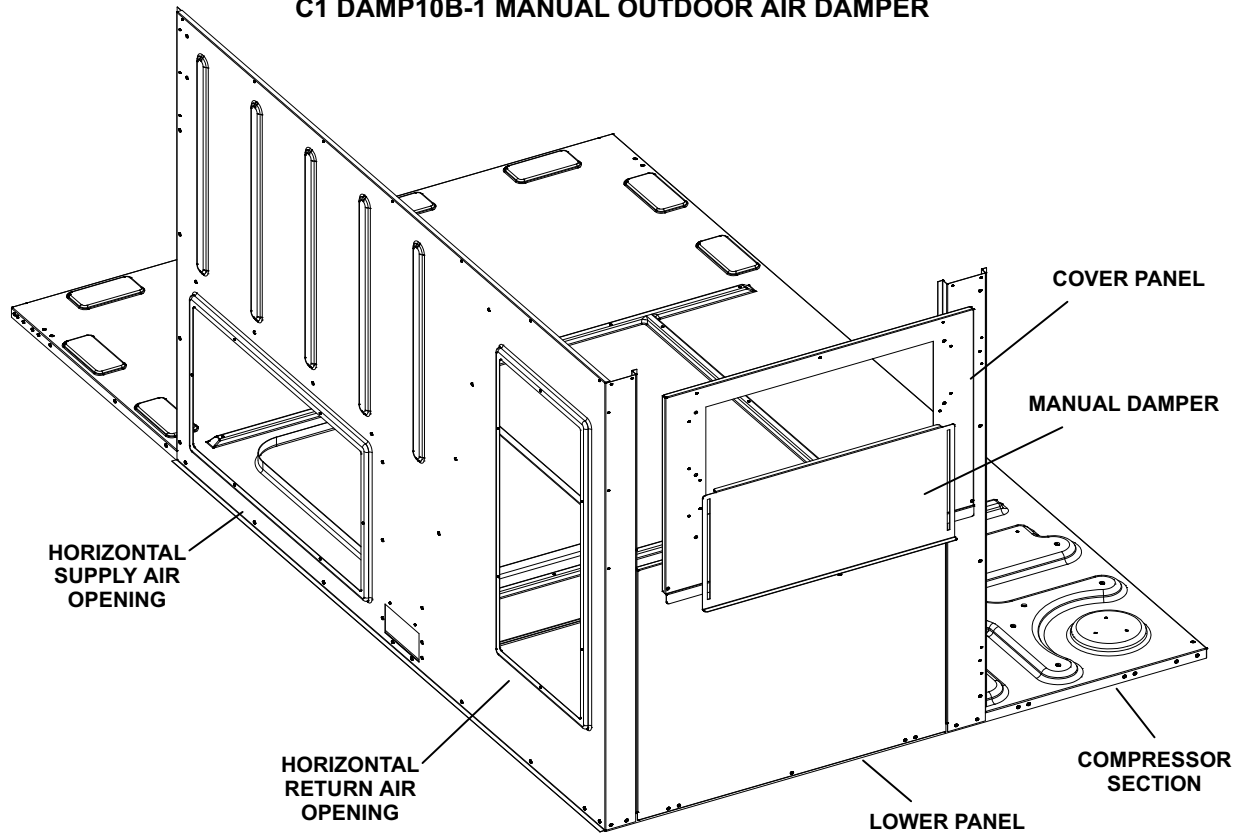


FIGURE 30

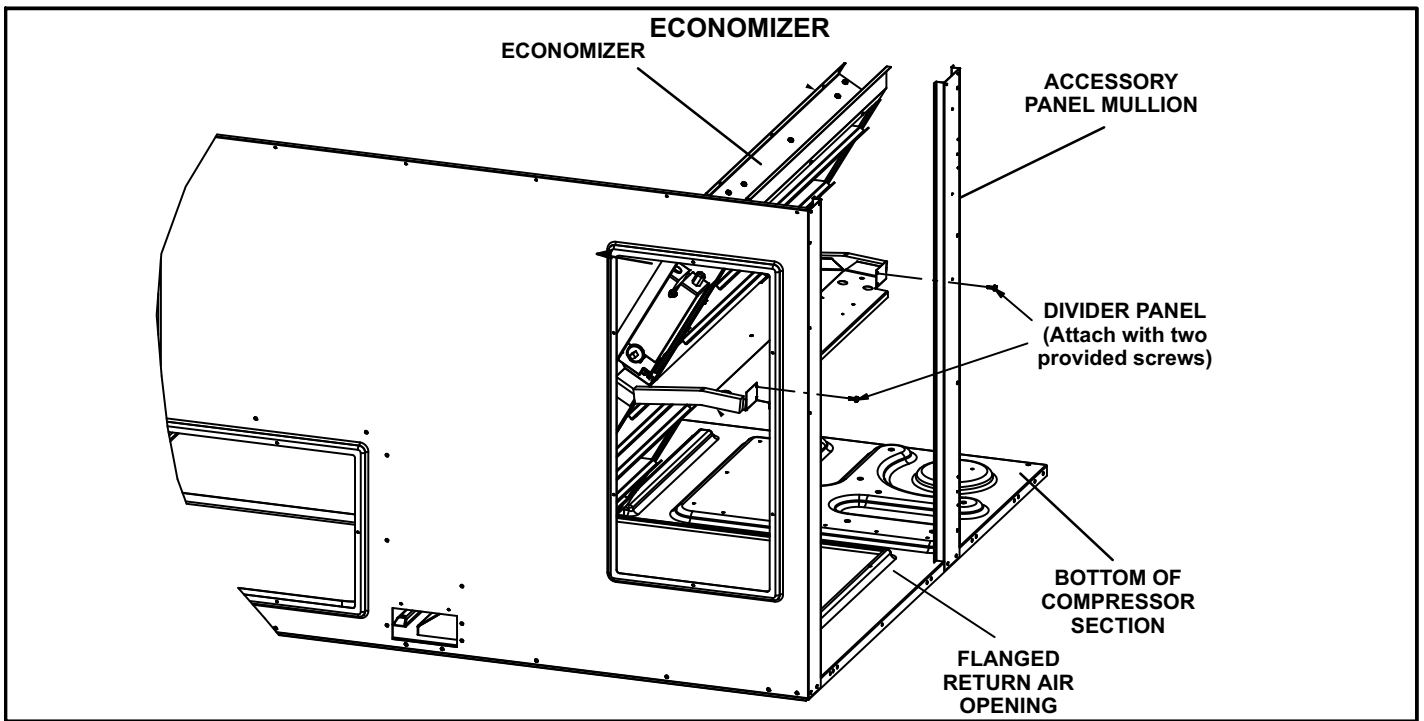


FIGURE 31

**G-K1ECON20B / K1ECON22B-1 Economizer,
(Field- or Factory-Installed)**

See specific economizer installation instructions for more detail for both K1ECON20B and high performance economizer K1ECON22B1 (Title 24 California). Economizers use outdoor air for free cooling when temperature and/or humidity is suitable. See figure 31. Below is a brief description of the K1ECON20B economizer.

The mixed air temperature sensor (R1) measures the supply air sensible temperature. See figure 32. The outdoor air sensible control is the default economizer control. An outdoor air single sensible sensor, S175, is also provided. See table 22 for outdoor and return air (OA and RA) sensor options. Refer to instructions provided with sensors for installation.

An IAQ sensor is used when demand control ventilation (DCV) is specified. Damper minimum position can be set lower than traditional minimum air requirements resulting in cost savings. The IAQ sensor allows the A6 to open dampers to traditional ventilation requirements as room occupancy (CO₂) increases.

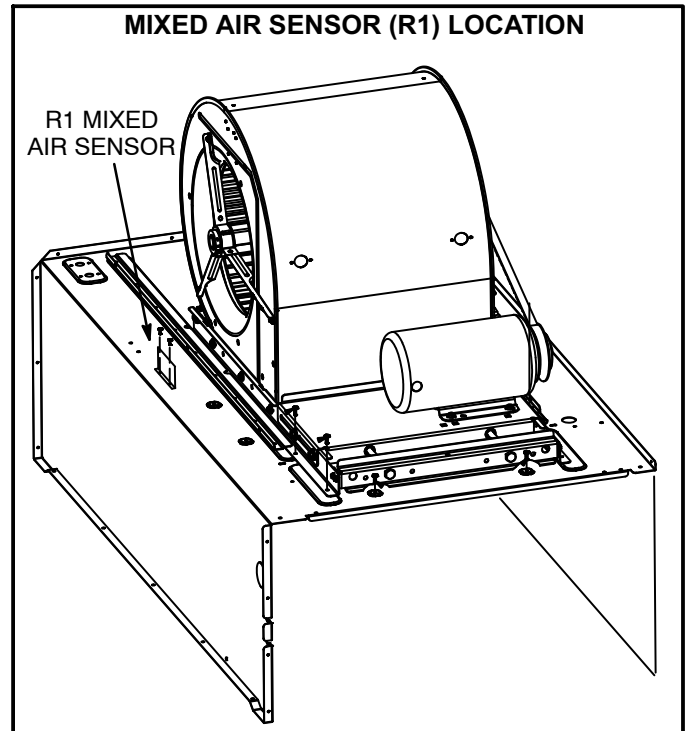


FIGURE 32

TABLE 22

Sensors	Dampers will modulate to 55°F discharge air (RT6) when:
Single OA Sensible	OA temperature (S175) is lower than free cooling setpoint.
Single OA Sensible	OA temperature and humidity (A7) is lower than free cooling setpoint.
Differential Enthalpy - 1 in OA and 1 in RA	OA temperature and humidity (A7) is lower than RA temperature and humidity (A62).
IAQ Sensor	CO ₂ sensed (A63) is higher than CO ₂ setpoint.

A6 Enthalpy Control LEDs

A steady green Free Cool LED indicates that outdoor air is suitable for free cooling.

When an optional IAQ sensor is installed, a steady green DCV LED indicates that the IAQ reading is higher than setpoint requiring more fresh air. See figure 33.

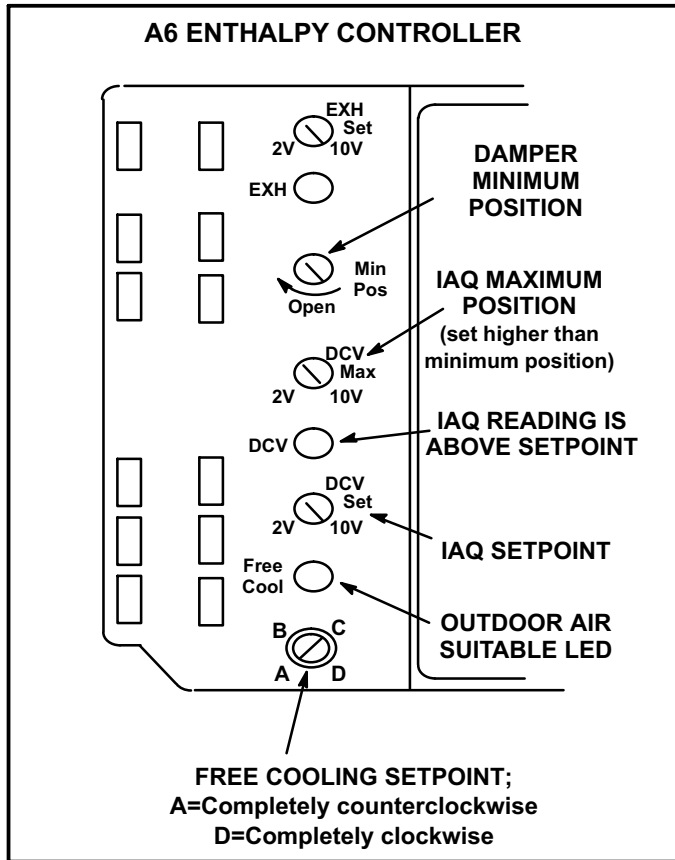


FIGURE 33

Free Cooling Setpoint

Outdoor air is considered suitable when temperature and humidity are less than the free cooling setpoints shown in table 23. Setting A is recommended. See figure 33. At setting A, free cooling will be energized when outdoor air is approximately 73°F (23°C) and 50% relative humidity. If indoor air is too warm or humid, lower the setpoint to B. At setting B, free cooling will be energized at 70°F (21°C) and 50% relative humidity.

When an optional A62 differential sensor is installed, turn A6 enthalpy control free cooling setpoint potentiometer completely clockwise to position "D".

TABLE 23
ENTHALPY CONTROL SETPOINTS

Control Setting	Free Cooling Setpoint At 50% RH
A	73° F (23° C)
B	70° F (21° C)
C	67° F (19° C)
D	63° F (17° C)

Damper Minimum Position

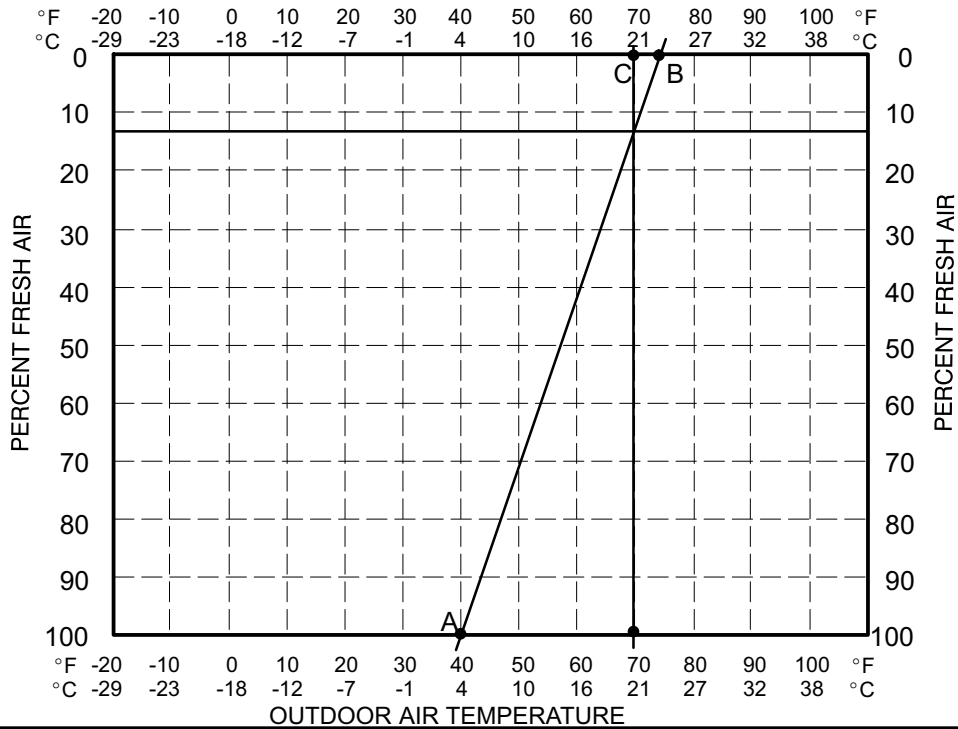
NOTE - A jumper is factory-installed between TB1 R and OC terminals to maintain occupied status (allowing minimum fresh air). When using an electronic thermostat or energy management system with an occupied/unoccupied feature, remove jumper.

- 1- Set thermostat to occupied mode if the feature is available. Make sure jumper is in place between TB1 terminals R and OC if using a thermostat which does not have the feature.
- 2- Rotate MIN POS SET potentiometer to approximate desired fresh air percentage.

NOTE - Damper minimum position can be set lower than traditional minimum air requirements when an IAQ sensor is specified. Dampers will open to DCV MAX setting (if CO2 is above setpoint) to meet traditional ventilation requirements.

- 3- Measure outdoor air temperature. Mark the point on the bottom line of chart 1 and label the point "A" (40°F, 4°C shown).
- 4- Measure return air temperature. Mark that point on the top line of chart 1 and label the point "B" (74°F, 23°C shown).
- 5- Measure mixed air (outdoor and return air) temperature. Mark that point on the top line of chart 1 and label point "C" (70°F, 21°C shown).
- 6- Draw a straight line between points A and B.
- 7- Draw a vertical line through point C.
- 8- Draw a horizontal line where the two lines meet. Read the percent of fresh air intake on the side.
- 9- If fresh air percentage is less than desired, adjust MIN POS SET potentiometer higher. If fresh air percentage is more than desired, adjust MIN POS SET potentiometer lower. Repeat steps 3 through 8 until calculation reads desired fresh air percentage.

**CHART 1
CALCULATE MINIMUM FRESH AIR PERCENTAGE
MIXED AND RETURN AIR TEMPERATURE**



DCV Set and Max Settings

Adjust settings when an optional IAQ sensor is installed. The DCV SET potentiometer is factory-set at approximately 50% of the potentiometer range. Using a standard 1-2000ppm CO₂ sensor, dampers will start to open when the IAQ sensor reads approximately 1000ppm. Adjust the DCV SET potentiometer to the approximate setting specified by the controls contractor. Refer to figure 33. The DCV MAX potentiometer is factory-set at approximately 50% of the potentiometer range or 6VDC. Dampers will open approximately halfway when CO₂ rises above setpoint. Adjust the DCV MAX potentiometer to the approximate setting specified by the controls contractor. Refer to figure 33.

NOTE - DCV Max must be set higher than economizer minimum position setting for proper demand control ventilation.

Economizer Operation

The occupied time period is determined by the thermostat or energy management system.

Outdoor Air Not Suitable:

During the unoccupied time period dampers are closed. During the occupied time period a cooling demand will open dampers to minimum position and mechanical cooling functions normally.

During the occupied time period dampers will open to DCV MAX when IAQ reading is above setpoint (regardless of thermostat demand or outdoor air suitability).

Outdoor Air Suitable:

See table 24 for economizer operation with a standard two-stage thermostat.

During the occupied period, dampers will open to DCV MAX when IAQ reading is above setpoint (regardless of thermostat demand or outdoor air suitability). DCV MAX will NOT override damper fully open position. When an R1 mixed air sensor for modulating dampers is installed, DCV MAX may override damper free cooling position when occupancy is high and outdoor air temperatures are low. If R1 senses discharge air temperature below 45°F (7°C), dampers will move to minimum position until discharge air temperature rises to 48°F (9°C).

⚠ IMPORTANT

Remove jumper R and OC when unit is controlled with a thermostat that has a night setback mode. If re-heat operation is desired during this time, wire A20 to R.

**TABLE 24
ECONOMIZER OPERATION - OUTDOOR AIR IS SUITABLE FOR FREE COOLING – FREE COOL LED “ON”**

THERMOSTAT DEMAND	DAMPER POSITION		MECHANICAL COOLING
	UNOCCUPIED	OCCUPIED	
OFF	CLOSED	CLOSED	NO
G	CLOSED	MINIMUM	NO
Y1	OPEN*	OPEN*	NO
Y2	OPEN*	OPEN*	STAGE 1

* Dampers will open to maintain 55°F (13°C) supply air when an R1 mixed air sensor is installed.

** IAQ sensor can open damper to DCV max.

H-Outdoor Air Dampers

Optional manual and motorized outdoor air dampers provide fresh outdoor air. The motorized damper assembly opens to minimum position during the occupied time period and remains closed during the unoccupied period. Manual damper assembly is set at installation and remains in that position.

Set damper minimum position in the same manner as economizer minimum position. Adjust motorized damper position using the thumbwheel on the damper motor. See figure 34. Manual damper fresh air intake percentage can be determined in the same manner.

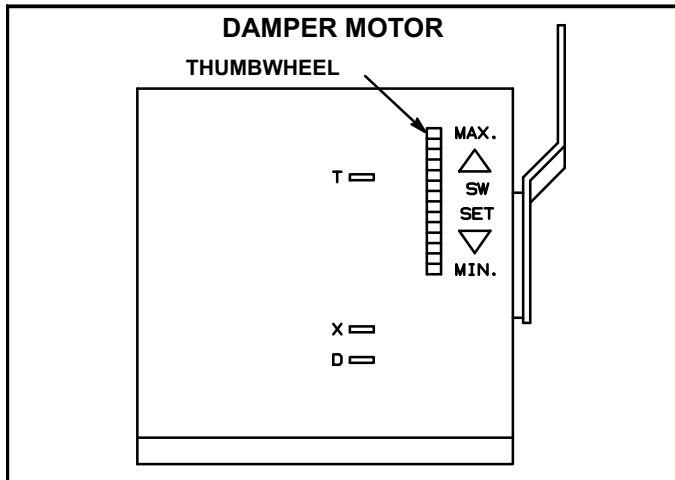


FIGURE 34

I-Gravity Exhaust Dampers

Dampers are used in downflow (see figure 35) and horizontal (see figure 36) air discharge applications. Horizontal gravity exhaust dampers are installed in the return air duct. The dampers must be used any time an economizer and a power exhaust fan is applied to KGA/KGB series units.

Gravity exhaust dampers allow exhaust air to be discharged from the system when an economizer and/or power exhaust is operating. Gravity exhaust dampers also prevent outdoor air infiltration during unit off cycle. See installation instructions for more detail.

NOTE - GED is optional except when used with power exhaust dampers, where it is required..

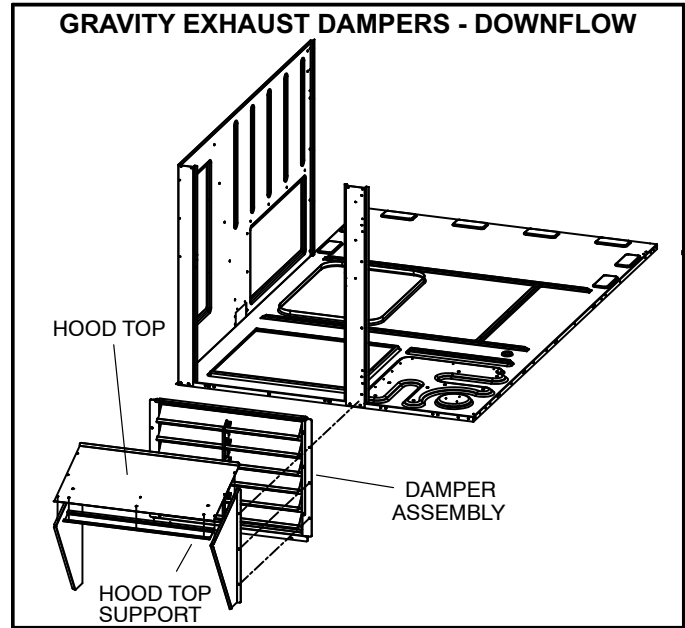


FIGURE 35

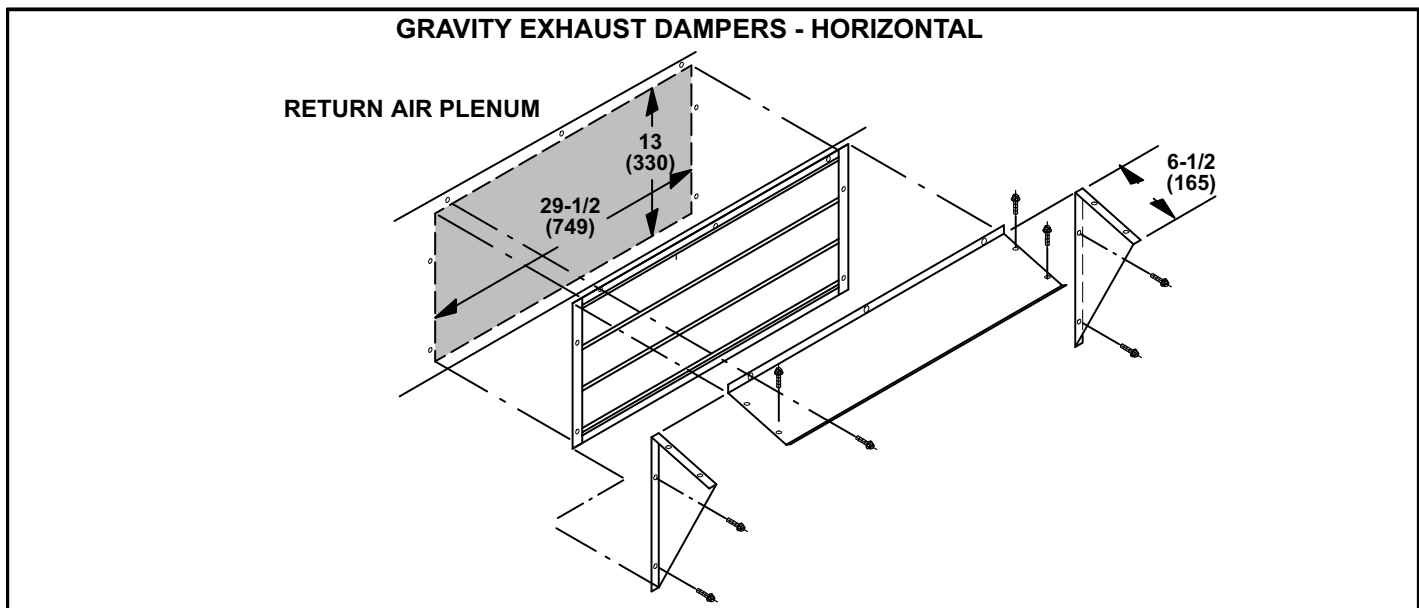


FIGURE 36

J-Power Exhaust Fan

The power exhaust fan (PEF) requires the use of a gravity exhaust damper and economizer and is used in downflow applications only. See figure 37. The PEF provides exhaust air pressure relief and also runs when return air dampers are closed and the supply air blower is operating. See installation instructions for more detail.

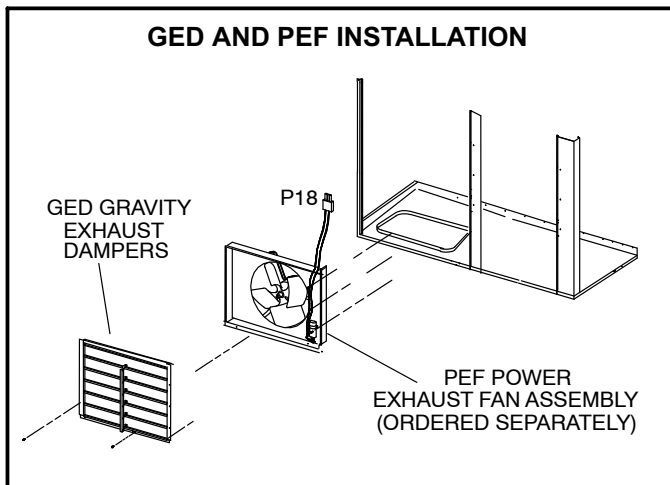


FIGURE 37

Power Exhaust Setpoint Adjustment

Locate the A6 enthalpy control in the control area. The EXH SET potentiometer is factory-set at approximately 50% of the dial range. See figure 38. Power exhaust fans will be energized 30 seconds after dampers are 50% open. Adjust the EXH SET potentiometer higher (clockwise toward 10V) to energize fans when dampers are further open. Adjust the EXH SET potentiometer lower (counterclockwise toward 2V) to energize fans when dampers are further closed. (Thirty-second delay allows dampers to partially open before exhaust fan starts.)

K-Optional Cold Weather Kit (Canada only)

Electric heater is available to automatically control the minimum temperature in the gas burner compartment. Heater is ETL/CSA certified to allow cold weather operation of unit down to -60° F (-50° C).

The kit includes the following parts:

- 1- Transformer (T20) is a 600V to 120/240V step-down transformer mounted in the blower compartment.
- 2- T20 has two in line fuses (F20), one on each leg of the transformer. Both are rated at 15 amps.
- 3- The strip heater (HR6) is located as close as possible to the gas valve. It is wired in series with T20. The strip heater is rated at 500 Watts
- 4- A thermostat mounting box is installed on the vestibule of the heating compartment. Included in the box are the following thermostat switches:

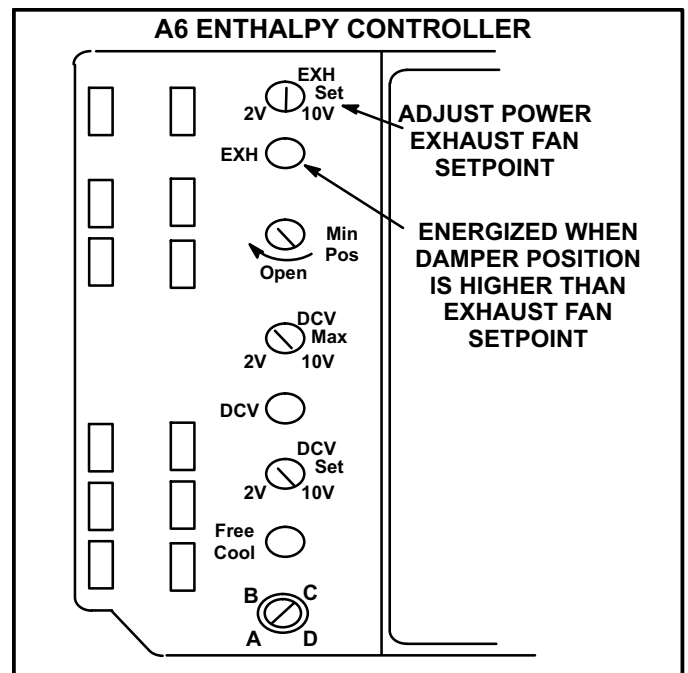


FIGURE 38

- a - Thermostat switch (S59) is an auto-reset SPST N.C. switch which opens on a temperature drop. The switch is wired in series with 24V power and the combustion air blower switch. When the temperature drops below -30° F (-35° C) the switch opens and the gas heat section is de-energized. The switch automatically resets when the heating compartment temperature reaches -10° F (-12° C).
- b - Thermostat switch (S60) is an auto-reset SPST N.C. switch which opens on a temperature rise. The switch is wired in series with HR6 and T20. When the temperature rises above 20° F (-7° C) the switch opens and the electric heater is de-energized. The switch automatically resets when the heating compartment temperature reaches -10° F (23.3° C).
- c - Thermostat switch (S61) is an auto-reset SPST N.O. switch which closes on a temperature drop. The switch is wired in series with HR6 and T20. When temperature drops below 20° F (-7° C) the switch closes and electric heater is energized. The switch automatically opens when heating compartment temperature reaches 76° F (24° C).

L-Control Systems

All thermostat wiring is connected to TB1 located in the control area. Each thermostat has additional control options available. See thermostat installation instructions for more detail.

M-Smoke Detectors A171 and A172

Photoelectric smoke detectors are a field-installed option. The smoke detectors can be installed in the supply air section (A172), return air section (A171), or in both the supply and return air sections.

N-Hot Gas Reheat Start-Up and Operation

General

Hot gas reheat units provide a dehumidifying mode of operation. These units contain a reheat coil adjacent to and downstream of the evaporator coil. Reheat coil solenoid valve, L14, routes hot discharge gas from the compressor to the reheat coil. Return air pulled across the evaporator coil is cooled and dehumidified; the reheat coil adds heat to supply air. See figure 39 for reheat refrigerant routing.

L14 Reheat Coil Solenoid Valve

When room conditions close the dehumidistat switch, L14 reheat valve is energized and refrigerant is routed to the reheat coil.

Reheat Setpoint

Reheat is factory-set to energize when indoor relative humidity rises above setpoint. Reheat will terminate when the indoor relative humidity falls below or the digital output de-energizes. Turn the knob on the dehumidistat to adjust the setpoint.

Check-Out

Test hot gas reheat operation using the following procedure.

- 1- Make sure reheat is wired as shown in wiring section.
- 2- Initiate a dehumidification demand by adjusting dehumidistat setpoint knob **BELOW** indoor relative humidity. The blower, compressor 1 and compressor 2 should be operating.
- 3- End a dehumidification demand by adjusting setpoint knob **ABOVE** indoor relative humidity. The blower, compressor 1, and compressor 2 should de-energize.

Default Reheat Operation

TABLE 25

Reheat Operation - Two Cooling Stages - Default

T'stat and Humidity Demands	Operation
Reheat Only	Compressor 1 Reheat
Reheat & Y1	Compressor 1 Reheat & Compressor 2 Cooling*
Reheat & Y1 & Y2	Compressor 1 Cooling & Compressor 2 Cooling**

*If there is no reheat demand and outdoor air is suitable, free cooling will operate.

**If there is no reheat demand and outdoor air is suitable, free cooling and compressor 1 will operate.

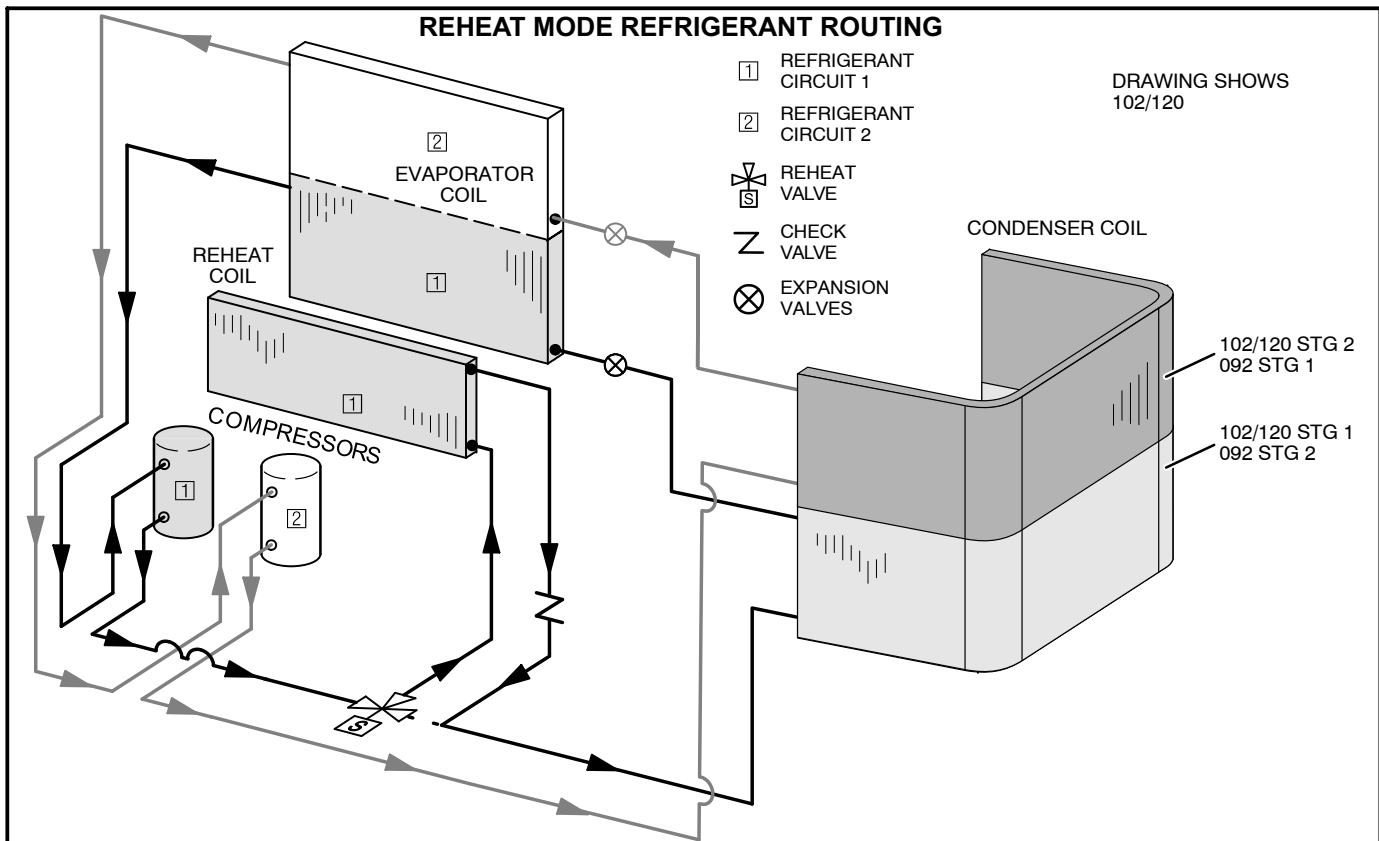
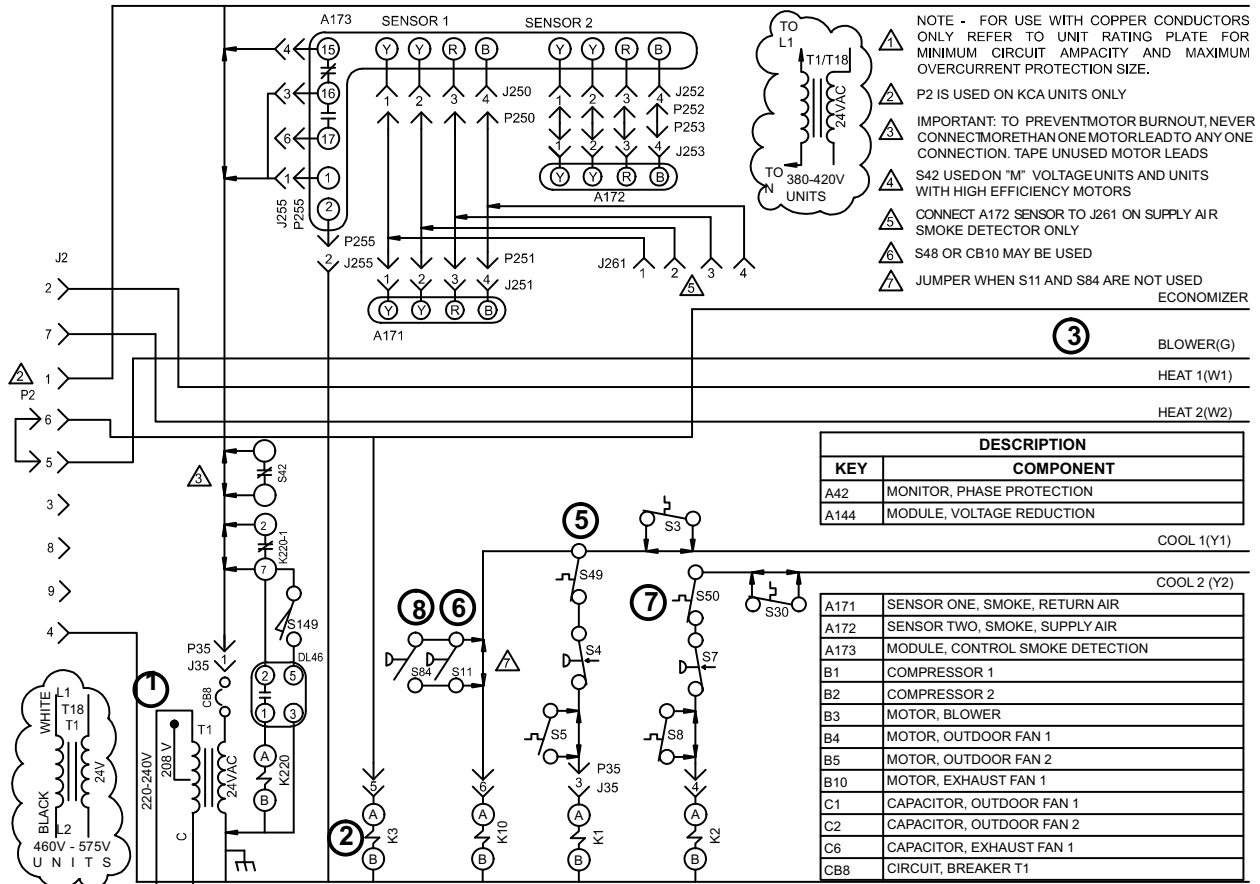


FIGURE 39

VIII-Wiring Diagrams and Sequence of Operation

KGA092/150 CAV UNIT DIAGRAM

24V POWER



NOTE - FOR USE WITH COPPER CONDUCTORS ONLY REFER TO UNIT RATING PLATE FOR MINIMUM CIRCUIT AMPACITY AND MAXIMUM OVERCURRENT PROTECTION SIZE.

P2 IS USED ON KCA UNITS ONLY

IMPORTANT: TO PREVENT MOTOR BURNOUT, NEVER CONNECT MORE THAN ONE MOTOR LEAD TO ANY ONE CONNECTION. TAPE UNUSED MOTOR LEADS

S42 USED ON "M" VOLTAGE UNITS AND UNITS WITH HIGH EFFICIENCY MOTORS

CONNECT A172 SENSOR TO J261 ON SUPPLY AIR SMOKE DETECTOR ONLY

S48 OR CB10 MAY BE USED

JUMPER WHEN S11 AND S84 ARE NOT USED ECONOMIZER

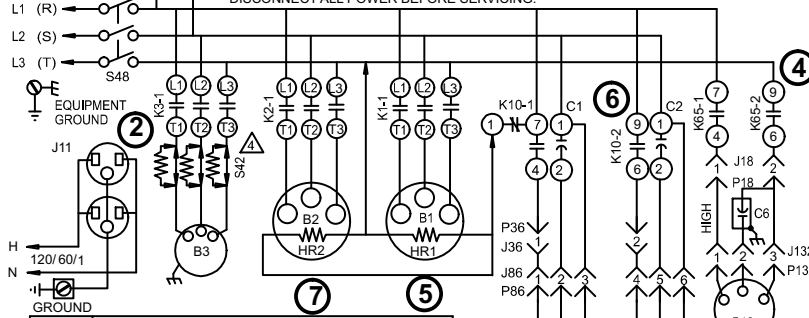
DESCRIPTION	
KEY	COMPONENT
A42	MONITOR, PHASE PROTECTION
A144	MODULE, VOLTAGE REDUCTION

DESCRIPTION	
KEY	COMPONENT
A171	SENSOR ONE, SMOKE, RETURN AIR
A172	SENSOR TWO, SMOKE, SUPPLY AIR
A173	MODULE, CONTROL SMOKE DETECTION
B1	COMPRESSOR 1
B2	COMPRESSOR 2
B3	MOTOR, BLOWER
B4	MOTOR, OUTDOOR FAN 1
B5	MOTOR, OUTDOOR FAN 2
B10	MOTOR, EXHAUST FAN 1
C1	CAPACITOR, OUTDOOR FAN 1
C2	CAPACITOR, OUTDOOR FAN 2
C6	CAPACITOR, EXHAUST FAN 1
CB8	CIRCUIT, BREAKER T1

NOTE - IF ANY WIRE IN THIS APPLIANCE REPLACED MUST BE REPLACED WITH WIRE OF LIKE SIZE, RATING, TERMINATION AND INSULATION THICKNESS

WARNING - ELECTRIC SHOCK HAZARD. CAN CAUSE INJURY OR DEATH. UNIT MUST BE GROUNDED IN ACCORDANCE WITH NATIONAL AND LOCAL CODES

DISCONNECT ALL POWER BEFORE SERVICING.



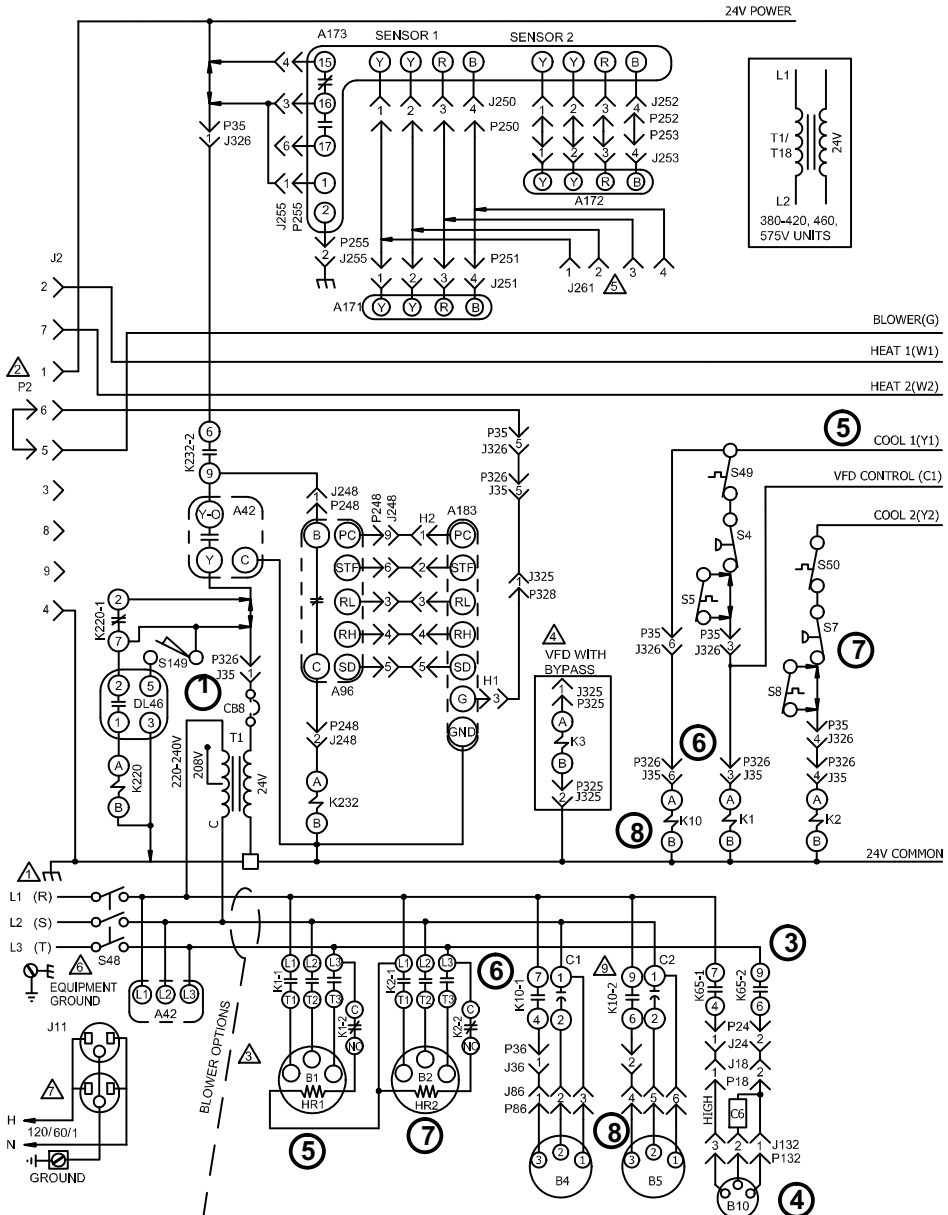
DESCRIPTION	
KEY	COMPONENT
DL46	DELAY, OVERFLOW SWITCH
HR1	HEATER COMPRESSOR 1
HR2	HEATER COMPRESSOR 2
J2	JACK, HEAT
J11	JACK, GFI, RECEPTACLE
J18	JACK, EXHAUST FAN COMPT
J24	JACK, EXHAUST FAN
J35	JACK, TEST
J36	JACK, TEST COOL
J86	JACK, OUTDOOR FANS 1
J132	JACK, BLOWER, EXHAUST FAN MOTOR 1
J250	JACK, SMOKE DETECTOR ONE
J251	JACK, SMOKE DETECTOR ONE
J252	JACK, SMOKE DETECTOR TWO
J253	JACK, SMOKE DETECTOR TWO
J255	JACK, MODULE, CONTROL SMOKE DETECTION
J261	JACK, SMOKE DETECTOR JUMPER
K1,-1	CONTACTOR, COMPRESSOR 1
K2,-1	CONTACTOR, COMPRESSOR 2
K3,-1	CONTACTOR, BLOWER
K10,-1,2	RELAY, OUTDOOR FAN
K65-1,2	RELAY, EXHAUST FAN
K220,-1	RELAY, OVERFLOW DELAY
P2	JACK, HEAT
P18	PLUG, EXHAUST FAN COMPT
P24	PLUG, EXHAUST FAN
P35	JACK, TEST
P36	PLUG, TEST COOL

P86	PLUG, OUTDOOR FANS 1
P132	PLUG, EXHAUST FAN MOTOR 1
P250	JACK, SMOKE DETECTOR ONE
P251	JACK, SMOKE DETECTOR ONE
P252	JACK, SMOKE DETECTOR TWO
P253	JACK, SMOKE DETECTOR TWO
P255	PLUG, MODULE, CONTROL SMOKE DETECTION
S3	SWITCH, LIMIT LOW COMPRESSOR 1
S4	SWITCH, LIMIT HI PRESS COMP 1
S5	SWITCH, LIMIT HI TEMP COMPRESSOR 1
S7	SWITCH, LIMIT HI PRESS COMP 2
S8	SWITCH, LIMIT HI TEMP COMPRESSOR 2
S11	SWITCH, LOW PRESS, LOW AMBIENT KIT
S30	SWITCH, LIMIT LOW COMPRESSOR 2
S42	SWITCH, OVERLOAD RELAY BLOWER MOTOR
S48	SWITCH, DISCONNECT
S49	SWITCH, FREEZE STAT COMP 1
S50	SWITCH, FREEZE STAT COMP 2
S84	SWITCH, LOW PRESS, LOW AMBIENT KIT COMP 2
S149	SWITCH, OVERFLOW
T1	TRANSFORMER, CONTROL

— DENOTES OPTIONAL COMPONENTS
 — LINE VOLTAGE FIELD INSTALLED

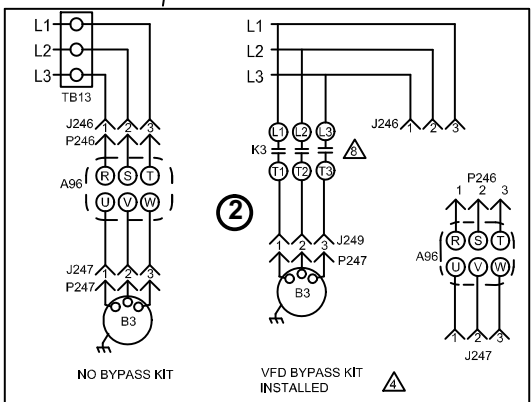
WIRING DIAGRAM		03/10
COOLING		
KCA, KGA - 092, 102, 120, 150 - G, J, M, Y		
SECTION B		REV. 0.0
Supersedes	New Form No.	537075-02

KG092/120 VFD UNIT DIAGRAM



KEY	COMPONENT
A42	MONITOR, PHASE PROTECTION
A96	CONTROL INVERTER
A171	SENSOR ONE, SMOKE, RETURN AIR
A172	SENSOR TWO, SMOKE, SUPPLY AIR
A173	MODULE, CONTROL SMOKE DETECTION
A183	CONTROL VFD BOARD
B1	COMPRESSOR 1
B2	COMPRESSOR 2
B3	MOTOR, BLOWER
B4	MOTOR, OUTDOOR FAN 1
B5	MOTOR, OUTDOOR FAN 2
B10	MOTOR, EXHAUST FAN 1
C1	CAPACITOR, OUTDOOR FAN 1
C2	CAPACITOR, OUTDOOR FAN 2
C6	CAPACITOR, EXHAUST FAN 1
CB8	CIRCUIT, BREAKER T1
DL46	DELAY, OVERFLOW SWITCH
HR1	HEATER COMPRESSOR 1
HR2	HEATER COMPRESSOR 2
J11	JACK, GFI, RECEPTACLE
K1-1,-2	CONTACTOR, COMPRESSOR 1
K2-1,-2	CONTACTOR, COMPRESSOR 2
K3-1	CONTACTOR, BLOWER
K10-1,2	RELAY, OUTDOOR FAN
K65-1,2	RELAY, EXHAUST FAN
K220-1	RELAY, OVERFLOW DELAY
K232-2	RELAY, INVERTER PROTECTION
S4	SWITCH, LIMIT HI PRESS COMP 1
S5	SWITCH, LIMIT HI TEMP COMPRESSOR 1
S7	SWITCH, LIMIT HI PRESS COMP 2
S8	SWITCH, LIMIT HI TEMP COMPRESSOR 2
S48	SWITCH, DISCONNECT
S49	SWITCH, FREEZESTAT COMP 1
S50	SWITCH, FREEZESTAT COMP 2
S149	SWITCH, OVERFLOW
T1	TRANSFORMER, CONTROL
T18	TRANSFORMER, REHEAT
TB13	TERMINAL STRIP, POWER DISTRIBUTION

J/P	JACK/PLUG DESCRIPTION
2	HEAT
18	EXHAUST FAN COMPT
24	EXHAUST FAN
35	RUN TEST
36	RUN TEST OD FANS
86	OUTDOOR FANS 1
132	EXHAUST FAN MOTOR 1
246	POWER TO VFD
247	POWER VFD TO MOTOR
248	VFD CONTROL
249	CONTACTOR BYPASS
250	SMOKE DETECTOR ONE
251	SMOKE DETECTOR ONE
252	SMOKE DETECTOR TWO
253	SMOKE DETECTOR TWO
255	MODULE, CONTROL SMOKE DETECTION
261	SMOKE DETECTOR JUMPER
326	VFD CONTROL ADD-ON
328	VFD CONTROL ADD-ON
H1	HEADER 1, A183 VFD BOARD
H2	HEADER 2, A183 VFD BOARD



NOTE - IF ANY WIRE IN THIS APPLIANCE IS REPLACED IT MUST BE REPLACED WITH WIRE OF LIKE SIZE, RATING, TERMINATION AND INSULATION THICKNESS.
 WARNING - ELECTRIC SHOCK HAZARD, CAN CAUSE INJURY OR DEATH UNIT MUST BE GROUNDED IN ACCORDANCE WITH NATIONAL AND LOCAL CODES
 DISCONNECT ALL POWER BEFORE SERVICING.

- ⚠ NOTE - FOR USE WITH COPPER CONDUCTORS ONLY REFER TO UNIT RATING PLATE FOR MINIMUM CIRCUIT AMPACITY AND MAXIMUM OVERCURRENT PROTECTION SIZE.
- ⚠ P2 IS USED ON KCA UNITS ONLY
- ⚠ IMPORTANT: TO PREVENT MOTOR BURNOUT, NEVER CONNECT MORE THAN ONE MOTOR LEAD TO ANY ONE CONNECTION. TAPE UNUSED MOTOR LEADS
- ⚠ TO BYPASS A96 VFD: DISCONNECT POWER SUPPLY UNPLUG J246 FROM P246 AND UNPLUG J247 FROM P247, PLUG J249 INTO P247. UNPLUG P328 FROM J325; PLUG P325 INTO J325, UNPLUG P326 FROM J35; UNPLUG P35 FROM J326; PLUG P35 INTO J35. *BYPASS OPTION NOT AVAILABLE FOR 50HZ UNITS.
- ⚠ CONNECT A172 SENSOR TO J261 ON SUPPLY AIR SMOKE DETECTOR ONLY
- ⚠ S48 OR CB10 MAY BE USED
- ⚠ 120V FIELD PROVIDED POWER SUPPLY IS REQUIRED
- ⚠ K3 REPLACES TB13 WHEN A96 VFD BYPASS OPTION IS INSTALLED
- ⚠ REFERENCE LOW AMBIENT KIT INSTRUCTIONS FOR WIRING DIAGRAM WHEN KIT IS INSTALLED

← DENOTES OPTIONAL COMPONENTS
 — LINE VOLTAGE FIELD INSTALLED

2018/08

WIRING DIAGRAM

537425-04

18/08

COOLING

KC/KG - 092, 102, 120 - G, J, Y, M

VFD UNITS

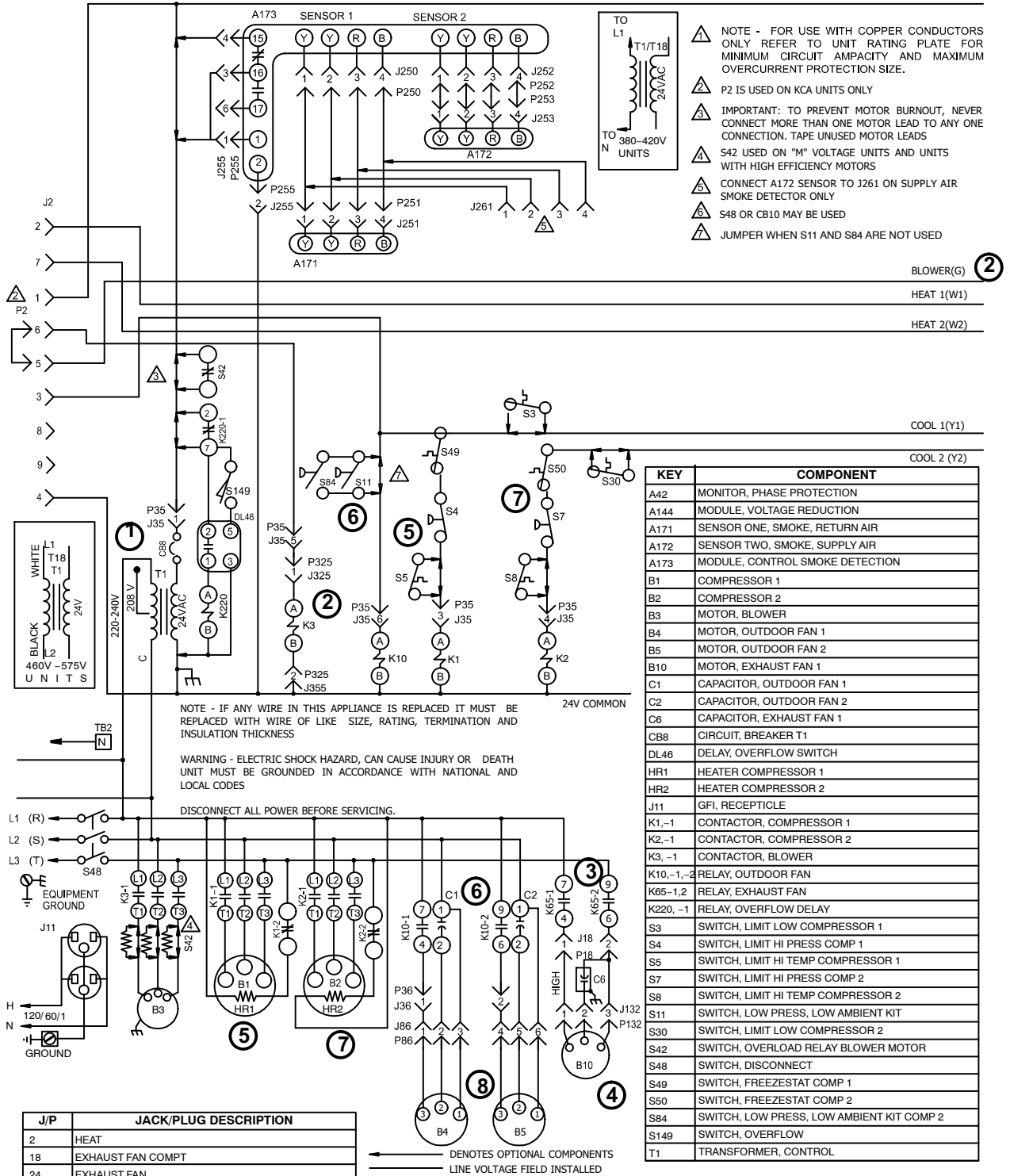
Supersedes
537425-03

SECTION B
New Form No.
537425-04

REV. 0

KGB092/120 CAV UNIT DIAGRAM

24V POWER

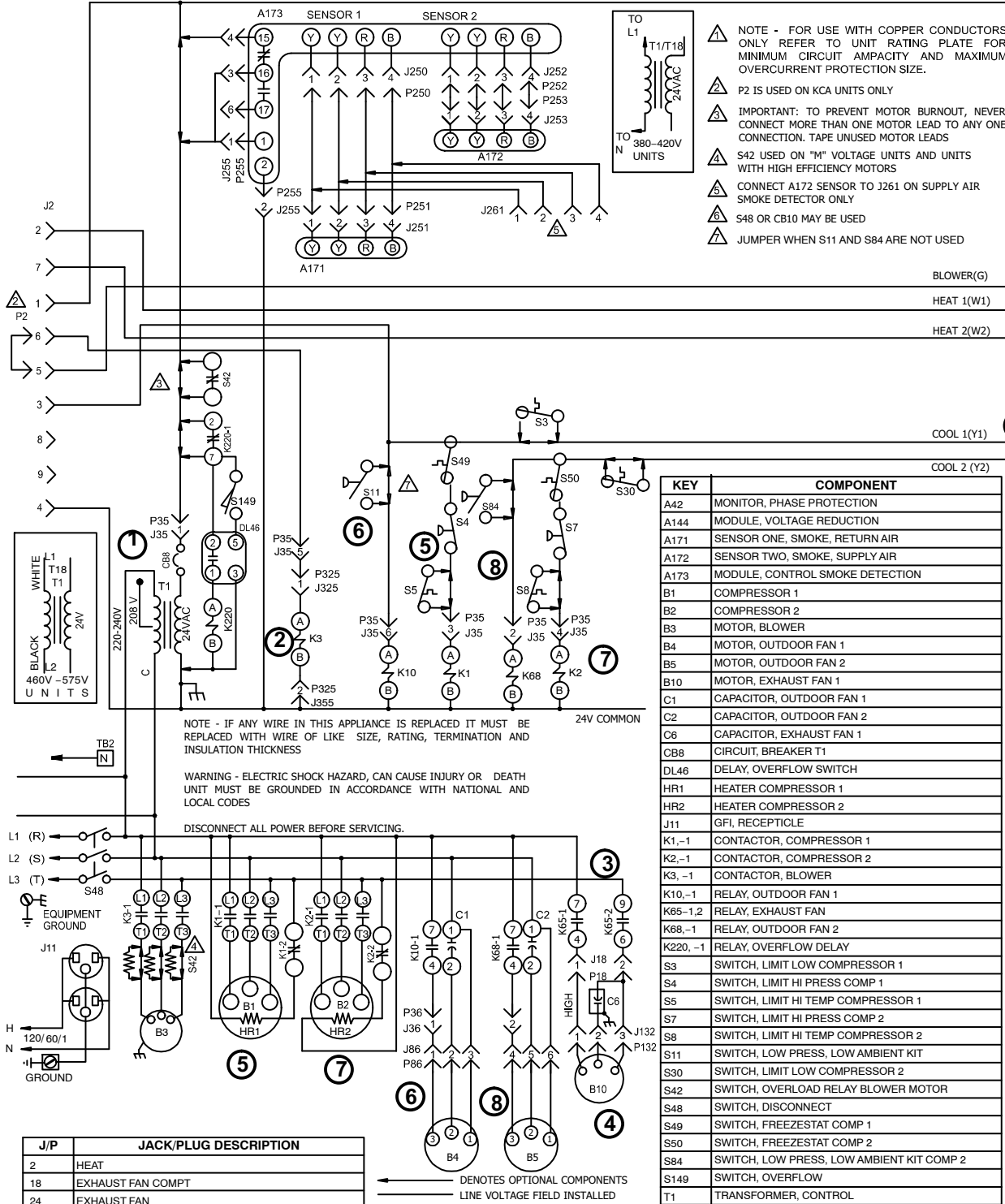


- ⚠ NOTE - FOR USE WITH COPPER CONDUCTORS ONLY REFER TO UNIT RATING PLATE FOR MINIMUM CIRCUIT AMPACITY AND MAXIMUM OVERCURRENT PROTECTION SIZE.
- ⚠ P2 IS USED ON KCA UNITS ONLY
- ⚠ IMPORTANT: TO PREVENT MOTOR BURNOUT, NEVER CONNECT MORE THAN ONE MOTOR LEAD TO ANY ONE CONNECTION. TAPE UNUSED MOTOR LEADS
- ⚠ S42 USED ON "M" VOLTAGE UNITS AND UNITS WITH HIGH EFFICIENCY MOTORS
- ⚠ CONNECT A172 SENSOR TO J261 ON SUPPLY AIR SMOKE DETECTOR ONLY
- ⚠ S48 OR CB10 MAY BE USED
- ⚠ JUMPER WHEN S11 AND S84 ARE NOT USED

WIRING DIAGRAM	09/17
COOLING - CAV	
KCB, KGB - 092, 102, 120 - G, J, M, Y	
SECTION B	
REV. 0	
Supersedes 537075-05	New Form No. 537075-06

KGB150 CAV UNIT DIAGRAM

24V POWER



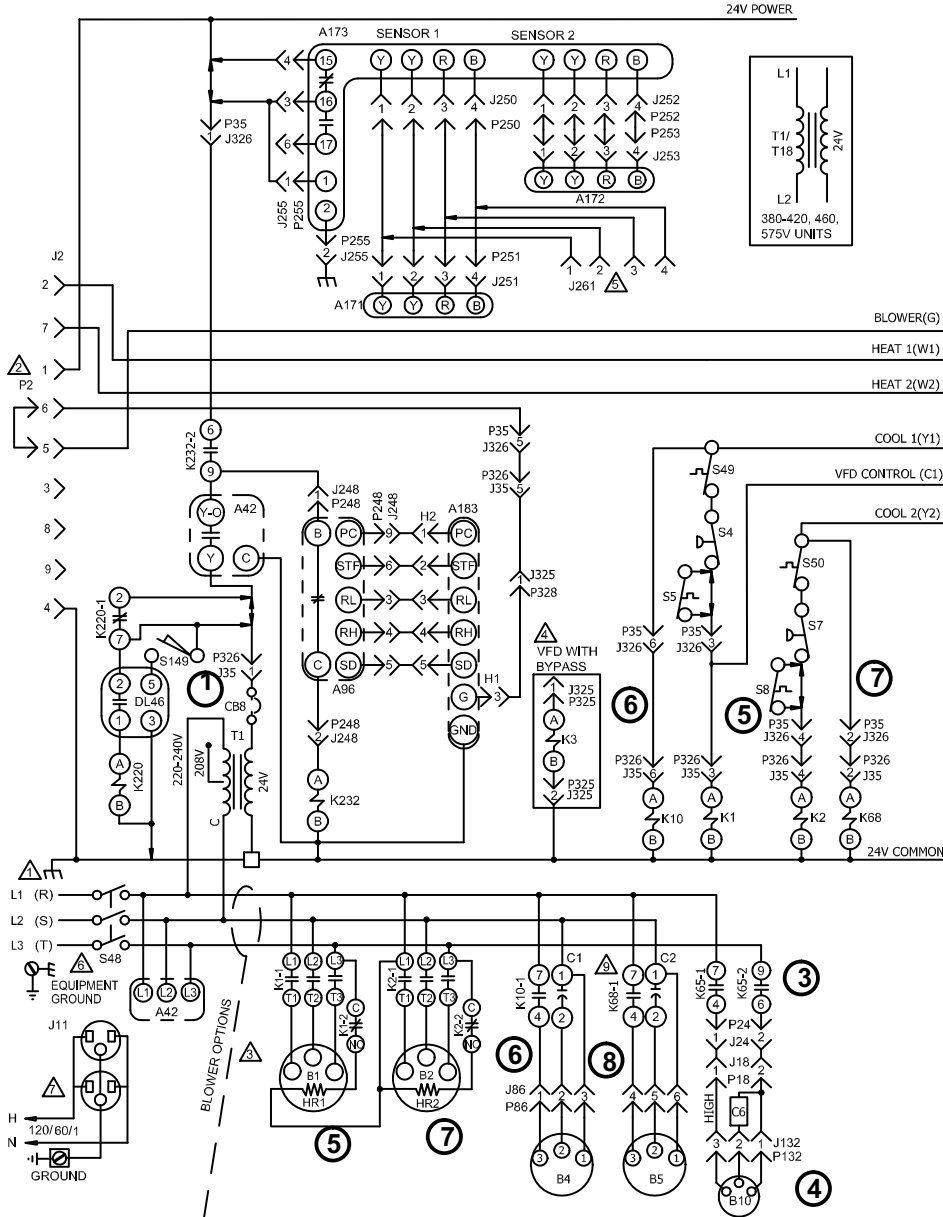
- ⚠ NOTE - FOR USE WITH COPPER CONDUCTORS ONLY REFER TO UNIT RATING PLATE FOR MINIMUM CIRCUIT AMPACITY AND MAXIMUM OVERCURRENT PROTECTION SIZE.
- ⚠ P2 IS USED ON KCA UNITS ONLY
- ⚠ IMPORTANT: TO PREVENT MOTOR BURNOUT, NEVER CONNECT MORE THAN ONE MOTOR LEAD TO ANY ONE CONNECTION. TAPE UNUSED MOTOR LEADS
- ⚠ S42 USED ON "M" VOLTAGE UNITS AND UNITS WITH HIGH EFFICIENCY MOTORS
- ⚠ CONNECT A172 SENSOR TO J261 ON SUPPLY AIR SMOKE DETECTOR ONLY
- ⚠ S48 OR CB10 MAY BE USED
- ⚠ JUMPER WHEN S11 AND S84 ARE NOT USED

KEY	COMPONENT
A42	MONITOR, PHASE PROTECTION
A144	MODULE, VOLTAGE REDUCTION
A171	SENSOR ONE, SMOKE, RETURN AIR
A172	SENSOR TWO, SMOKE, SUPPLY AIR
A173	MODULE, CONTROL SMOKE DETECTION
B1	COMPRESSOR 1
B2	COMPRESSOR 2
B3	MOTOR, BLOWER
B4	MOTOR, OUTDOOR FAN 1
B5	MOTOR, OUTDOOR FAN 2
B10	MOTOR, EXHAUST FAN 1
C1	CAPACITOR, OUTDOOR FAN 1
C2	CAPACITOR, OUTDOOR FAN 2
C6	CAPACITOR, EXHAUST FAN 1
CB8	CIRCUIT, BREAKER T1
DL46	DELAY, OVERFLOW SWITCH
HR1	HEATER COMPRESSOR 1
HR2	HEATER COMPRESSOR 2
J11	GFI, RECEPTICLE
K1,-1	CONTACTOR, COMPRESSOR 1
K2,-1	CONTACTOR, COMPRESSOR 2
K3,-1	CONTACTOR, BLOWER
K10,-1	RELAY, OUTDOOR FAN 1
K65-1,2	RELAY, EXHAUST FAN
K68,-1	RELAY, OUTDOOR FAN 2
K220,-1	RELAY, OVERFLOW DELAY
S3	SWITCH, LIMIT LOW COMPRESSOR 1
S4	SWITCH, LIMIT HI PRESS COMP 1
S5	SWITCH, LIMIT HI TEMP COMPRESSOR 1
S7	SWITCH, LIMIT HI PRESS COMP 2
S8	SWITCH, LIMIT HI TEMP COMPRESSOR 2
S11	SWITCH, LOW PRESS, LOW AMBIENT KIT
S30	SWITCH, LIMIT LOW COMPRESSOR 2
S42	SWITCH, OVERLOAD RELAY BLOWER MOTOR
S48	SWITCH, DISCONNECT
S49	SWITCH, FREEZESTAT COMP 1
S50	SWITCH, FREEZESTAT COMP 2
S84	SWITCH, LOW PRESS, LOW AMBIENT KIT COMP 2
S149	SWITCH, OVERFLOW
T1	TRANSFORMER, CONTROL

J/P	JACK/PLUG DESCRIPTION
2	HEAT
18	EXHAUST FAN COMPT
24	EXHAUST FAN
35	TEST
36	TEST COOL
86	OUTDOOR FANS 1
132	EXHAUST FAN MOTOR 1
250	SMOKE DETECTOR ONE
251	SMOKE DETECTOR ONE
252	SMOKE DETECTOR TWO
253	SMOKE DETECTOR TWO
255	MODULE, CONTROL SMOKE DETECTION
261	SMOKE DETECTOR JUMPER
325	ASDF

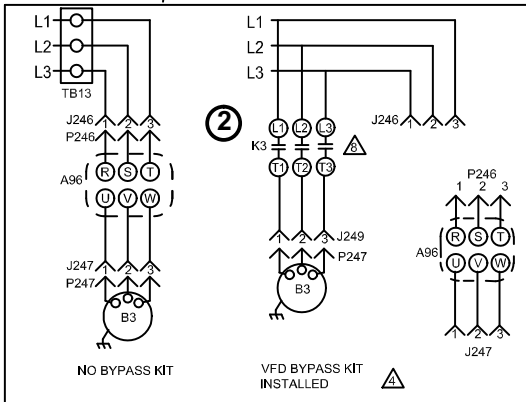
WIRING DIAGRAM	09/17
COOLING - CAV	
KCB, KGB - 150 - G, J, M, Y	
SECTION B	REV. 0
Supersedes	New Form No. 537895-01

KG150 DFV UNIT DIAGRAM



KEY	COMPONENT
A42	MONITOR, PHASE PROTECTION
A96	CONTROL, INVERTER
A171	SENSOR ONE, SMOKE, RETURN AIR
A172	SENSOR TWO, SMOKE, SUPPLY AIR
A173	MODULE, CONTROL SMOKE DETECTION
A183	CONTROL, VFD BOARD
B1	COMPRESSOR 1
B2	COMPRESSOR 2
B3	MOTOR, BLOWER
B4	MOTOR, OUTDOOR FAN 1
B5	MOTOR, OUTDOOR FAN 2
B10	MOTOR, EXHAUST FAN 1
C1	CAPACITOR, OUTDOOR FAN 1
C2	CAPACITOR, OUTDOOR FAN 2
C6	CAPACITOR, EXHAUST FAN 1
CB8	CIRCUIT, BREAKER T1
DL46	DELAY, OVERFLOW SWITCH
HR1	HEATER COMPRESSOR 1
HR2	HEATER COMPRESSOR 2
J11	JACK, GFI, RECEPTACLE
K1-1,-2	CONTACTOR, COMPRESSOR 1
K2-1,-2	CONTACTOR, COMPRESSOR 2
K3,-1	CONTACTOR, BLOWER
K10-1	RELAY, OUTDOOR FAN 1
K65-1,2	RELAY, EXHAUST FAN
K68-1	RELAY, OUTDOOR FAN 2
K220-1	RELAY, OVERFLOW DELAY
K232-2	RELAY, INVERTER PROTECTION
S4	SWITCH, LIMIT HI PRESS COMP 1
S5	SWITCH, LIMIT HI TEMP COMPRESSOR 1
S7	SWITCH, LIMIT HI PRESS COMP 2
S8	SWITCH, LIMIT HI TEMP COMPRESSOR 2
S48	SWITCH, DISCONNECT
S49	SWITCH, FREEZESTAT COMP 1
S50	SWITCH, FREEZESTAT COMP 2
S149	SWITCH, OVERFLOW
T1	TRANSFORMER, CONTROL
T18	TRANSFORMER, REHEAT
TB13	TERMINAL STRIP, POWER DISTRIBUTION

J/P	JACK/PLUG DESCRIPTION
2	HEAT
18	EXHAUST FAN COMPT
24	EXHAUST FAN
35	RUN TEST
86	OUTDOOR FANS 1
132	EXHAUST FAN MOTOR 1
246	POWER TO VFD
247	POWER VFD TO MOTOR
248	VFD CONTROL
249	CONTACTOR BYPASS
250	SMOKE DETECTOR ONE
251	SMOKE DETECTOR ONE
252	SMOKE DETECTOR TWO
253	SMOKE DETECTOR TWO
255	MODULE, CONTROL SMOKE DETECTION
261	SMOKE DETECTOR JUMPER
326	VFD CONTROL ADD-ON
328	VFD CONTROL ADD-ON
H1	HEADER 1, A183 VFD BOARD
H2	HEADER 2, A183 VFD BOARD



- ⚠ NOTE - FOR USE WITH COPPER CONDUCTORS ONLY REFER TO UNIT RATING PLATE FOR MINIMUM CIRCUIT AMPACITY AND MAXIMUM OVERCURRENT PROTECTION SIZE.
- ⚠ P2 IS USED ON KCA UNITS ONLY
- ⚠ IMPORTANT: TO PREVENT MOTOR BURNOUT, NEVER CONNECT MORE THAN ONE MOTOR LEAD TO ANY ONE CONNECTION. TAPE UNUSED MOTOR LEADS
- ⚠ TO BYPASS A96 VFD: DISCONNECT POWER SUPPLY UNPLUG J246 FROM P246 AND UNPLUG J247 FROM P247. PLUG J249 INTO P247. UNPLUG P328 FROM J325; PLUG P325 INTO J325, UNPLUG P326 FROM J35; UNPLUG P35 FROM J326; PLUG P35 INTO J35. *BYPASS OPTION NOT AVAILABLE FOR 50HZ UNITS.
- ⚠ CONNECT A172 SENSOR TO J261 ON SUPPLY AIR SMOKE DETECTOR ONLY
- ⚠ S48 OR CB10 MAY BE USED
- ⚠ 120V FIELD PROVIDED POWER SUPPLY IS REQUIRED
- ⚠ K3 REPLACES TB13 WHEN A96 VFD BYPASS OPTION IS INSTALLED
- ⚠ REFERENCE LOW AMBIENT KIT INSTRUCTIONS FOR WIRING DIAGRAM WHEN KIT IS INSTALLED

NOTE - IF ANY WIRE IN THIS APPLIANCE IS REPLACED IT MUST BE REPLACED WITH WIRE OF LIKE SIZE, RATING, TERMINATION AND INSULATION THICKNESS. WARNING - ELECTRIC SHOCK HAZARD, CAN CAUSE INJURY OR DEATH UNIT MUST BE GROUNDED IN ACCORDANCE WITH NATIONAL AND LOCAL CODES DISCONNECT ALL POWER BEFORE SERVICING.

← DENOTES OPTIONAL COMPONENTS
 — LINE VOLTAGE FIELD INSTALLED

2018/08

WIRING DIAGRAM

537906-02

18/08

COOLING

KC/KG 150S - G, J, Y, M

VFD UNITS

Supersedes
537906-01

Section B
New Form No.
537906-02

REV. 0

KGA092/150 & KGB092/120 Sequence of Operation

Power:

- 1- Line voltage from unit disconnect energizes transformer T1. T1 provides 24VAC power to terminal strip TB1. TB1 provides 24VAC to the unit cooling, heating and blower controls.

Blower Operation:

- 2- *VFD units WITH a by-pass and CAV units* - Indoor thermostat terminal G energizes blower contactor K3 with 24VAC. N.O. K3 closes, energizing blower B3.
VFD units WITHOUT a by-pass - Indoor blower operation is controlled by A96 inverter.

Economizer Operation:

- 3- The economizer control module receives a demand and energizes exhaust fan relay K65 with 24VAC at 50% outside air damper open (adjustable).
- 4- N.O. K65-1 and N.O. K65-2 both close, energizing exhaust fan motor B10.

1st Stage Cooling (compressor B1)

- 5- First stage cooling demand Y1 and G are energized by the thermostat. G energizes blower. 24VAC is routed through TB1 passing N.C. freezestat S49 and optional N.C. high pressure switch S4. Compressor contactor K1 is energized. N.O. contacts K1 close energizing compressor B1.
- 6- Contacts K10-1 and K10-2 close energizing condenser fans B4 and B5. N.C. contacts K10-1 open de-energizing crankcase heaters HR1 and HR2.

2nd Stage Cooling (compressor B2)

- 7- 24VAC is routed through TB1 and proves N.C. freezestat S50 and optional N.C. high pressure switch S7. Compressor contactor K2 is energized. N.O. K2 contacts close energizing compressor B2.
- 8- Contacts K10-1 and K10-2 close energizing condenser fans B4 and B5. N.C. contacts K10-1 open de-energizing crankcase heaters HR1 and HR2.

KGB150 Sequence of Operation

Power:

- 1- Line voltage from unit disconnect energizes transformer T1. T1 provides 24VAC power to terminal strip TB1. TB1 provides 24VAC to the unit cooling, heating and blower controls.

Blower Operation:

- 2- *VFD units WITH a by-pass and CAV units* - Indoor thermostat terminal G energizes blower contactor K3 with 24VAC. N.O. K3 closes, energizing blower B3.
VFD units WITHOUT a by-pass - Indoor blower operation is controlled by A96 inverter.

Economizer Operation:

- 3- The economizer control module receives a demand and energizes exhaust fan relay K65 with 24VAC at 50% outside air damper open (adjustable).
- 4- N.O. K65-1 and N.O. K65-2 both close, energizing exhaust fan motor B10.

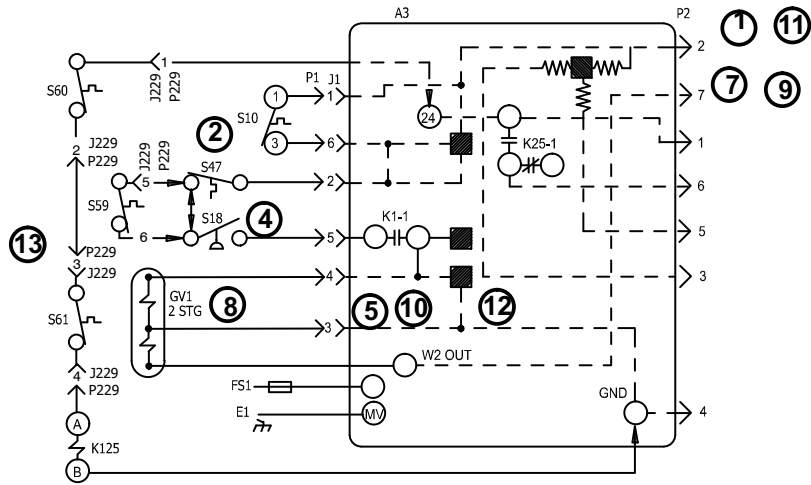
1st Stage Cooling (compressor B1)

- 5- First stage cooling demand Y1 and G are energized by the thermostat. G energizes blower. 24VAC is routed through TB1 passing N.C. freezestat S49 and optional N.C. high pressure switch S4. Compressor contactor K1 is energized. N.O. contacts K1-1 close energizing compressor B1. N.C. Contacts K1-2 open de-energizing crankcase heater HR1
- 6- Contacts K10-1 close energizing condenser fan B4.

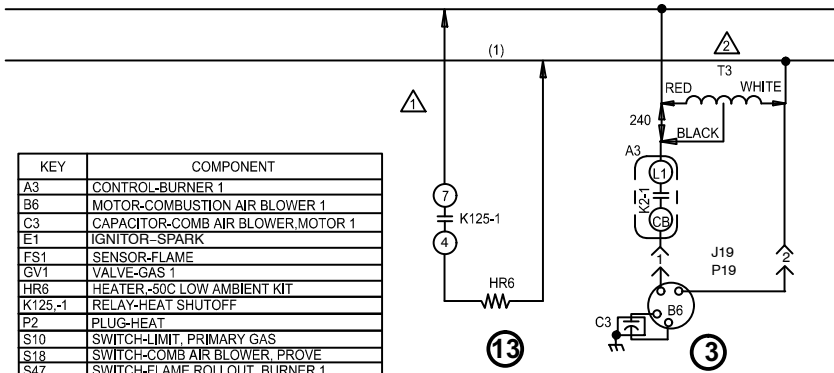
2nd Stage Cooling (compressor B2)

- 7- 24VAC is routed through TB1 and proves N.C. freezestat S50 and optional N.C. high pressure switch S7. Compressor contactor K2 is energized. N.O. K2 contacts close energizing compressor B2. N.C.K2-2 opens de-energizing crankcase heater HR2.
- 8- N.O. contacts K68-1 close energizing condenser fan B5.

GAS HEAT FOR KGA/KGB092/150 UNITS



- △ CSA(-50C) LOW AMBIENT KIT (OPTIONAL)
- △ T3 USED ON 480V AND 600V UNITS



KEY	COMPONENT
A3	CONTROL-BURNER 1
B6	MOTOR-COMBUSTION AIR BLOWER 1
C3	CAPACITOR-COMB AIR BLOWER, MOTOR 1
E1	IGNITOR-SPARK
FS1	SENSOR-FLAME
GV1	VALVE-GAS 1
HR6	HEATER, -50C LOW AMBIENT KIT
K125,-1	RELAY-HEAT SHUTOFF
P2	PLUG-HEAT
S10	SWITCH-LIMIT, PRIMARY GAS
S18	SWITCH-COMB AIR BLOWER, PROVE
S47	SWITCH-FLAME ROLLOUT, BURNER 1
S59	THERMOSTAT-OPEN -20F, CLOSE 10F
S60	THERMOSTAT-OPEN 20F, CLOSE -10F
S61	THERMOSTAT-OPEN 50F, CLOSE 20F
T3	TRANSFORMER-COMB AIR BLOWER 1

J/P	JACK/PLUG DESCRIPTION
1	GAS LIMIT
19	COMBUSTION AIR BLOWER
229	VESTIBULE HEATER, CONTROL 1

■ INDICATES MICRO PROCESSOR
 ← DENOTES OPTIONAL COMPONENTS

WIRING DIAGRAM		07/17
HEATING - GAS		
KDB/ZG*/KG* UNITS - 130 THRU 240		
SECTION A		REV 2
Supersedes	New Form No. 537063-03	

GAS HEAT SEQUENCE OF OPERATION

First Stage Heat:

- 1- The thermostat initiates W1 heating demand.
- 2- 24VAC is routed from TB1 to ignition control A3 through P2. A3 proves N.C. primary limit S10 and N.C. rollout switch S47.
- 3- Combustion air inducer blower B6 is energized.
- 4- After the combustion air inducer B6 has reached full speed, the combustion air proving switch S18 contacts close.
- 5- After a 30 second delay, A3 energizes the ignitor and LO terminal (low fire) of gas valve GV1.

Second Stage Heat:

- 6- With first stage heat operating, an additional heating demand from the thermostat initiates W2.
- 7- A second stage heating demand is received by TB1. The second stage heat signal passes from TB1 to A3.
- 8- A3 energizes HI terminal (high fire) of gas valve GV1.

End of Second Stage Heat:

- 9- Heating demand is satisfied. Terminal W2 (high fire) is de-energized.
- 10- Terminal HI of GV1 is de-energized by A3 control module.

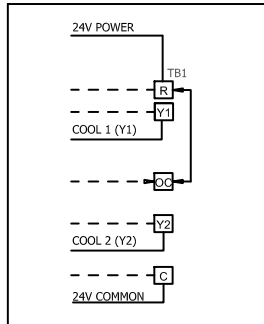
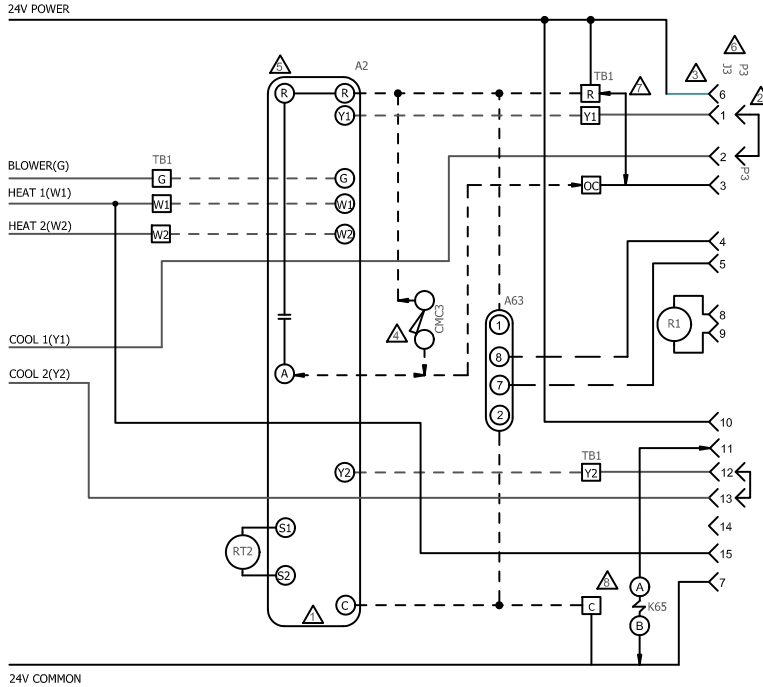
End of First Stage Heat:

- 11- Heating demand is satisfied. Terminal W1 (low fire) is de-energized.
- 12- Ignition A3 is de-energized in turn de-energizing terminal LO of GV1.

Optional Low Ambient Kit: (ETL/CSA -50° C Low Ambient Kit)

- 13- Line voltage is routed through the N.C. low ambient kit thermostats S60 and S61. K125 relay is energized closing N.O. K125-1 contacts and energizing the low ambient kit heater HR6.

ELECTRONIC OR ELECTROMECHANICAL THERMOSTAT



CONNECTION SCHEME FOR KCA, KGA AND KHA 092 THROUGH 150 UNITS WITHOUT ECONOMIZER ONLY

KEY	COMPONENT
A2	SENSOR, ELECTRONIC THERMOSTAT
A63	SENSOR, CO2
CMC3	CLOCK, TIME
J3	JACK, UNIT ECONOMIZER
K65	RELAY, EXHAUST FAN
P3	PLUG, ECONOMIZER BYPASS
R1	SENSOR, MIXED AIR OR SUPPLY AIR
RT2	SENSOR, REMOTE THERMOSTAT
TB1	TERMINAL STRIP, CLASS II VOLTAGE

- ▲ THERMOSTAT SUPPLIED BY USER
- ▲ REMOVE P3 WHEN ECONOMIZER IS USED
- ▲ J3 MAXIMUM LOAD 20VA 24VAC CLASS II
- ▲ TIME CLOCK CONTACTS (OPT) CLOSED OCCUPIED
- ▲ TOUCHSCREEN THERMOSTAT
- ▲ J3 AND P3 ARE NOT USED ON KCA, KGA AND KHA 092 THROUGH 150 UNITS WITHOUT ECONOMIZER
- ▲ REMOVE JUMPER BETWEEN TB1-R AND TB1-OC WHEN USING A NITE SETBACK THERMOSTAT
- ▲ 092 TO 300 UNITS ONLY
- DENOTES OPTIONAL COMPONENTS
- - - CLASS II FIELD WIRING

08/16		WIRING DIAGRAM	08/16
	537641-01		
CONTROL			
ELECTRONIC/ELECTROMECHANICAL THERMOSTAT			
SECTION C			REV 1
Supersedes 537612-01		New Form No. 537641-01	

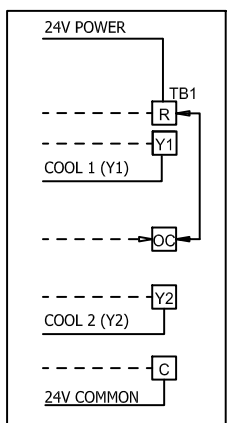
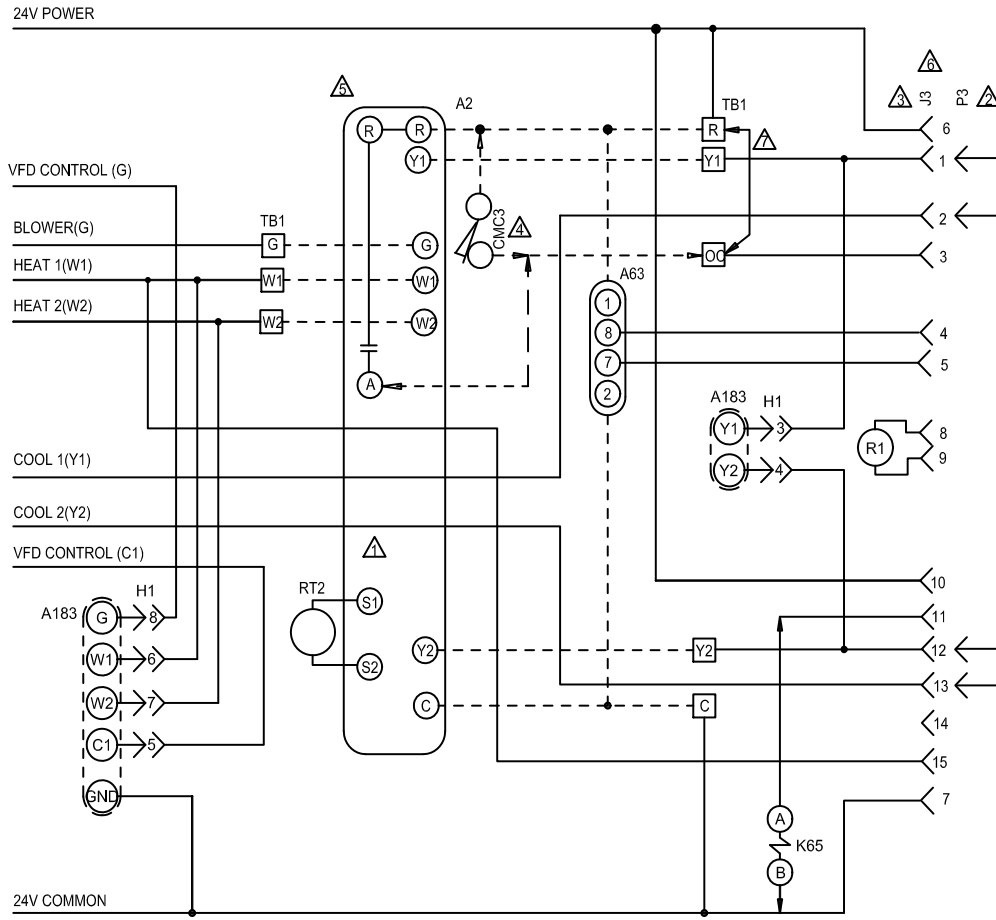
POWER:

- 1- Terminal strip TB1 energizes thermostat components with 24VAC.

OPERATION:

- 2- TB1 receives data from the electronic thermostat A2 (Y1, Y2, W1, W2, G, OCP). The 24VAC signal from TB1 energizes the appropriate components for heat or cool demand.

ELECTRONIC OR ELECTROMECHANICAL THERMOSTAT



CONNECTION SCHEME FOR KCA, KGA, AND KHA 092 THROUGH 150 UNITS WITHOUT ECONOMIZER ONLY

KEY	COMPONENT
A2	SENSOR, ELECTRONIC
A63	SENSOR, CO2
A183	CONTROL, VFD BOARD
CMC3	CLOCK, TIME
H1	HEADER 1 ON VFD BOARD
J3	JACK, UNIT ECONOMIZER
K65	RELAY, EXHAUST FAN
P3	PLUG, LESS ECONOMIZER
R1	SENSOR, MIXED / SUPPLY AIR
RT2	SENSOR, REMOTE THERMOSTAT
TB1	TERMINAL STRIP, CLASS II VOLTAGE

————— DESIGNATES OPTIONAL WIRING
 - - - - - CLASS II FIELD WIRING

- ⚠ THERMOSTAT SUPPLIED BY USER
- ⚠ REMOVE P3 WHEN ECONOMIZER IS USED; ONLY ON KCA, KGA AND KHA 156 THRU 300 UNITS
- ⚠ J3 MAXIMUM LOAD 20VA 24VAC CLASS II
- ⚠ TIME CLOCK CONTACTS (OPT) CLOSED OCCUPIED
- ⚠ TOUCHSCREEN THERMOSTAT
- ⚠ J3 AND P3 ARE NOT USED ON KCA, KGA, AND KHA 092 THRU 150 UNITS WITHOUT ECONOMIZER
- ⚠ REMOVE JUMPER BETWEEN TB1-R AND TB1-OC WHEN USING A NITE SETBACK THERMOSTAT

06/13	WIRING DIAGRAM	06/13
537642-01		
CONTROL - VFD		
ELECTRONIC/ELECTROMECHANICAL THERMOSTAT		
SECTION C		REV 0
Supersedes 537615-01	New Form No. 537642-01	

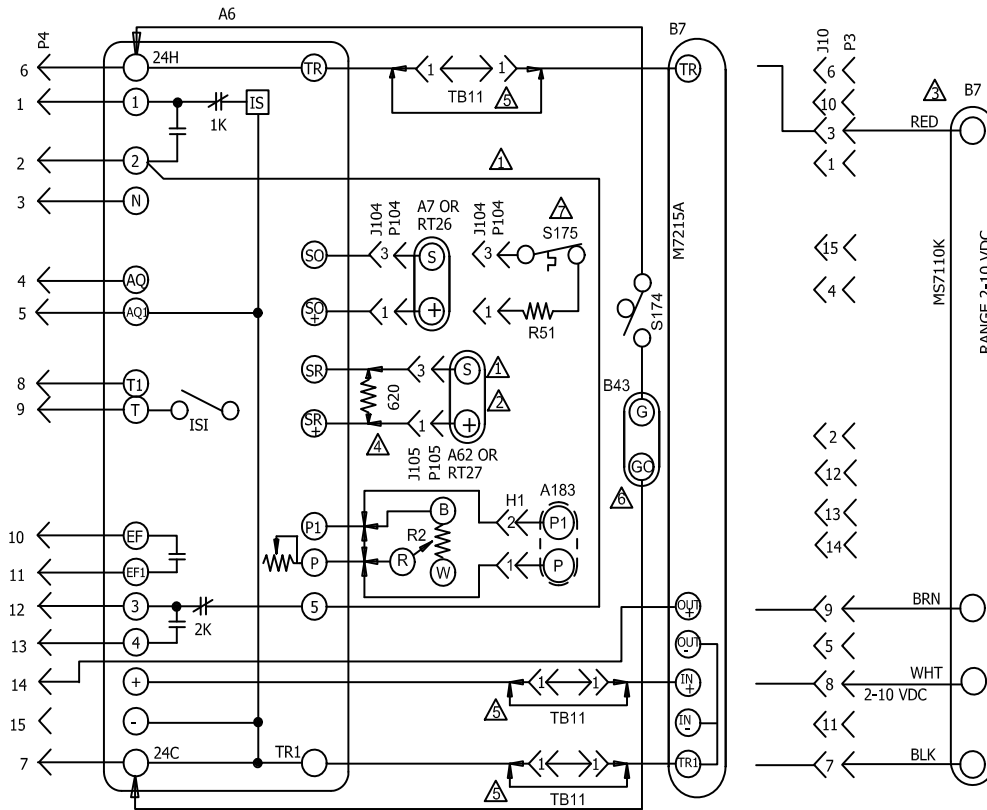
POWER:

1- Terminal strip TB1 energizes thermostat components with 24VAC.

OPERATION:

2- TB1 receives data from the electronic thermostat A2 (Y1, Y2, W1, W2, G, OCP). The 24VAC signal from TB1 energizes the appropriate components for heat or cool demand.

ECONOMIZER



KEY	COMPONENT
A6	CONTROL-SOLID STATE ENTHALPY
A7	SENSOR-SOLID STATE ENTHALPY
A62	SENSOR-ENTHALPY, INDOOR
A183	CONTROL, VFD BOARD
B7	MOTOR-DAMPER, ECONOMIZER
B43	MOTOR-EXHAUST DAMPER
H1	HEADER 1 ON LANDMARK VFD BOARD
J10	JACK-ECONOMIZER
J104	JACK-SENSOR, OUTDOOR ENTHALPY
J105	JACK-SENSOR, RETURN AIR ENTHALPY
P3	PLUG-LESS ECONOMIZER
P4	PLUG-ECONOMIZER
P104	PLUG-SENSOR, OUTDOOR ENTHALPY
P105	PLUG-SENSOR, RETURN AIR ENTHALPY
R2	POT-MINIMUM POSITION
R51	RESISTOR-SENSIBLE 820 OHM
RT26	SENSOR-OUTDOOR AIR TEMP
RT27	SENSOR-INDOOR AIR TEMP
S175	THERMOSTAT-SENSIBLE TEMP 55-70F
S174	SWITCH-EXHAUST DAMPER
TB11	TERMINAL STRIP-CLASS II VOLT

DESIGNATES OPTIONAL WIRING
 CLASS II FIELD WIRING

- RT26 AND RT27, TEMPERATURE SENSORS MAY BE USED INSTEAD OF A7 AND A62 ENTHALPY SENSORS
- A62 ENTHALPY SENSOR OR RT27 USED FOR DIFFERENTIAL SENSING
- USED ON C BOX UNITS
- REPLACE A7 OR RT26 WITH 620 OHM RESISTOR FOR CONTROLS WITH GLOBAL ECON
- TB11 USED ON "C" BOX ONLY WITH MOTOR M7215A
- OPTIONAL EXHAUST DAMPER TO HOLD EXHAUST DAMPER CLOSED WHEN OUTSIDE AIR DAMPER IS CLOSED
- OPTIONAL OUTDOOR THERMOSTAT TO REPLACE RT26 SENSIBLE SENSOR

	LANDMARK WIRING DIAGRAM	11/11
ACCESSORIES		
ECONOMIZER		
SECTION D		REV 0
Supersedes	New Form No. 537080-02	
© 2011	Lennox Commercial	

SEQUENCE OF OPERATION

POWER:

- Terminal strip TB1 energizes the economizer components with 24VAC.

OPERATION:

- Enthalpy sensor A7 and A62 (if differential enthalpy is used) communicates to the economizer control module A6 when to power the damper motor B7.
- Economizer control module A6 supplies B7 with 0 - 10 VDC to control the positioning of economizer.
- The damper actuator provides 2 to 10 VDC position feedback.